

# S700

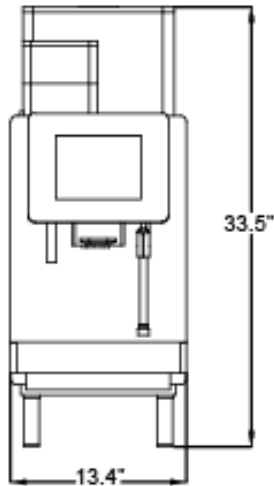
## SITE READINESS FORM



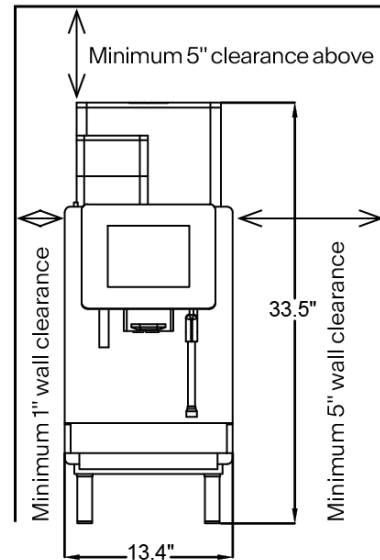
SITE CONTACT INFORMATION	INDIVIDUAL CONFIRMING SITE READINESS	
SITE NAME/STORE #:	NAME:	
STREET ADDRESS:	TITLE:	
CITY, STATE, ZIP:	COMPANY:	
SITE CONTACT NAME:	PHONE #:	
SITE EMAIL:	PREFERRED INSTALLATION DATE:	
SITE PHONE #:	PREFERRED TIME: MORNING	AFTERNOON

### UNIT SPACE REQUIREMENTS – STANDARD CONFIGURATION

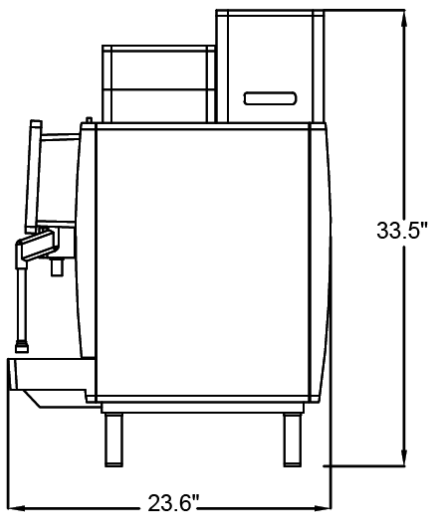
**FRONT PROFILE**



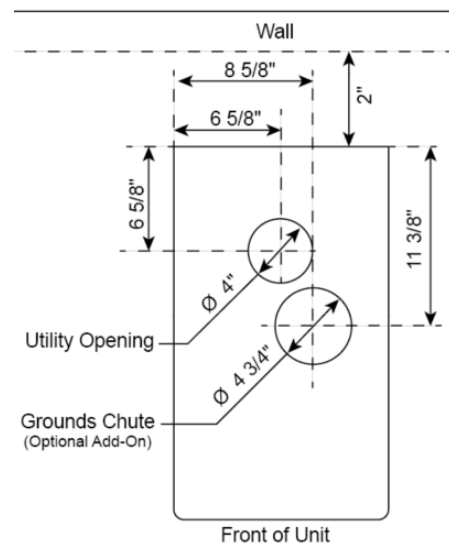
**CLEARANCE**



**SIDE PROFILE**



**COUNTER HOLE(S) NEEDED**



# S700



## SITE READINESS FORM




### WATER SUPPLY REQUIREMENTS FOR EACH MACHINE

<b>GENERAL</b>	DEDICATED COLD WATER SUPPLY
<b>AROMA &amp; COLOR</b>	FRESH AND PURE TASTE, WITH NO PERCEPTIBLE AROMA, CLEAR
<b>TOTAL HARDNESS</b>	70 – 140 PPM (MG/L), 4 – 8 GPG
<b>CARBONATE HARDNESS</b>	50 – 105 PPM (MG/L), 3 – 6° DH (CARBONATE HARDNESS)
<b>WATER HARDNESS – TDS</b>	30 – 150 PPM (MG/L) TOTAL DISSOLVED SOLIDS
<b>TEMPERATURE</b>	< 25 °C
<b>PRESSURE &amp; FLOW RATE</b>	80 – 800 KPA (0.8 - 8 BAR), > 0.1 L/SEC
<b>ACID CONTENT/PH VALUE</b>	6.5 - 7.5 PH
<b>CHLORINE &amp; CHLORIDE CONTENT</b>	< 0.5 MG/L, < 30 MG/L
<b>IRON CONTENT</b>	< 0.3 MG/L
<b>MAX. DISTANCE TO WATER SUPPLY CONNECTION</b>	3 FEET
<b>REQUIRED CONNECTION</b> WATER SUPPLY STOP VALVE/SHUT-OFF VALVE: 3/8" COMPRESSION (MALE)	

### DRAIN REQUIREMENTS

<b>OVERVIEW</b>	EQUIPPED WITH ONE DRAIN HOSE	
<b>TYPE</b> FUNNEL-STYLE SANITARY INDIRECT (AIR GAPPED) WASTE RECEPTOR DRAIN OR FLOOR DRAIN COVER		
<b>SIZE</b>	DRAIN MUST BE ABLE TO ACCOMMODATE ONE WASTEWATER HOSE, WITH TOTAL INSIDE DIAMETER NO LESS THAN 2.5"	
<b>POSITION</b>	BELOW MACHINE - THE WASTEWATER HOSE <b>MUST MAINTAIN A CONTINUOUS DOWNWARD SLOPE</b> TO ENSURE PROPER DRAINAGE	
<b>MAXIMUM DISTANCE TO DRAIN</b>	3 FEET	

### ELECTRICAL REQUIREMENTS


	<b>NEMA L6-30R</b>
	<b>208 VAC / 60HZ/ SINGLE PHASE</b>
	<b>30 AMP BREAKER</b>
	<b>DISTANCE TO RECEPTACLE: MAXIMUM 3 FEET</b>
	<b>RECORD ACTUAL VOLTAGE L6-30R (MUST BE 200-220V):</b>

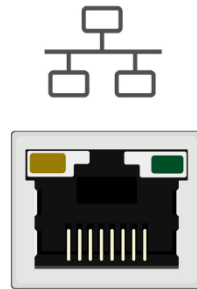
### ON-SITE PRODUCT SUPPLY REQUIREMENTS

<b>COFFEE</b>	3 LBS. OF EACH WHOLE BEAN COFFEE (ESPRESSO, DECAF, ETC.)
<b>MILK</b>	2 GALLONS OF PREFERRED MILK TYPE (ONLY 1 MILK TYPE REQUIRED FOR CALIBRATIONS)
<b>CUPS</b>	1 SLEEVE OF EACH CUP SIZE TO BE OFFERED

### FRANKE DIGITAL SERVICES (IF APPLICABLE) UNLESS MODEM SOLUTION IS USED

<b>OVERVIEW</b>	LAN/ETHERNET CABLE (10 FEET) IF REQUESTED
<b>RECEPTACLE TYPE REQUIRED</b>	RJ45 ETHERNET PORT

Ethernet/LAN Recommended Option	Connectivity Requirements Ethernet/LAN	
Internet connection provided to machine over LAN/Ethernet Cable 	MQTT	Port 8883
	NTP	Port 123
	HTTPS	Port 443
	MQTT Websockets	Port 443/ Port 444



### ACKNOWLEDGEMENT - STAFFING REQUIREMENTS

#### MANAGER & CREW TO BE ON SITE AT THE CONCLUSION OF INSTALLATION FOR EQUIPMENT CLEANING & TRAINING

- All sections on this form must be confirmed and completed prior to scheduling installation.
- To help prevent delays in scheduling your installation, it is requested Franke receive this signed form at least 7 business days prior to the requested installation date/time. If this survey is not received by Franke at minimum 3 business days prior to the installation date/time requested, scheduling delays may occur, and it's recommended to reschedule your installation to avoid potential delays and additional charges.
- After arrival, if the technician determines that site readiness differs from what was confirmed per this form or a required item is not complete, the technician will be asked to leave the site and the install will require rescheduling for a later date/time once all required items are confirmed to be complete. A newly completed form will be required prior to rescheduling installation. The Purchasing Customer or Dealer may be charged up to \$650 for incomplete site readiness requirements should the installing technician need to return to complete the installation later. In the event the technician is available to wait for completion of any facility requirements or required product supply as part of the installation process, and the wait does not exceed 1 hour, then a delay fee of \$150 may apply. If the wait time exceeds 1 hour, the installation will be required to be rescheduled for a later date/time and additional rescheduling charges of \$650 may apply.

### SIGN-OFF & SUBMISSION

**PRINT NAME:** \_\_\_\_\_ **DATE:** \_\_\_\_\_

---

**SIGNATURE:** \_\_\_\_\_