

A600

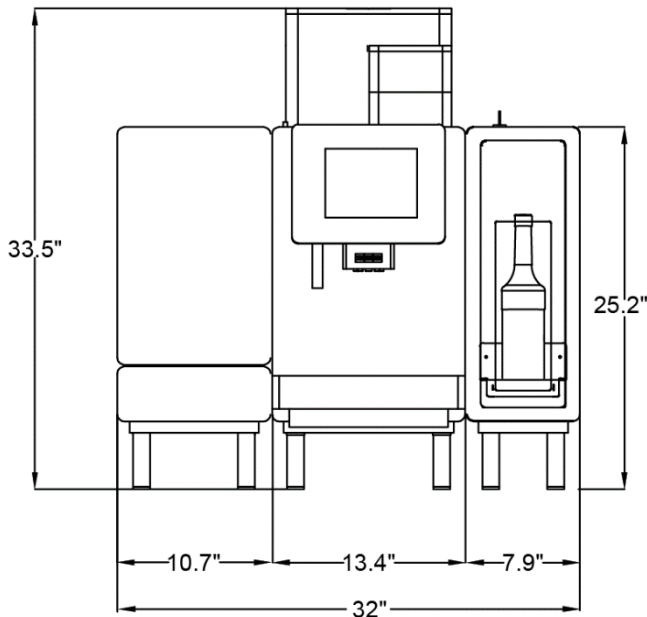
SITE READINESS FORM



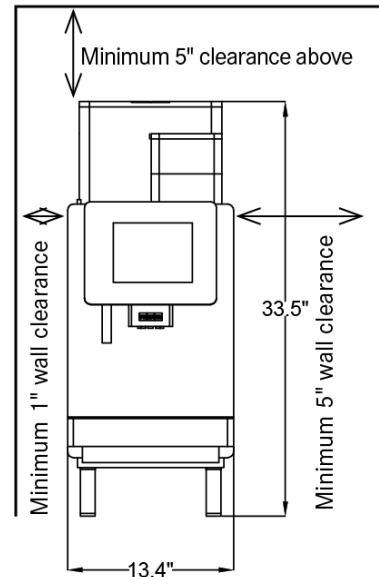
| SITE CONTACT INFORMATION | | INDIVIDUAL CONFIRMING SITE READINESS | |
|--------------------------|--|--------------------------------------|-----------|
| SITE NAME/STORE #: | | NAME: | |
| STREET ADDRESS: | | TITLE: | |
| CITY, STATE, ZIP: | | COMPANY: | |
| SITE CONTACT NAME: | | PHONE #: | |
| SITE EMAIL: | | PREFERRED INSTALLATION DATE: | |
| SITE PHONE #: | | PREFERRED TIME: MORNING | AFTERNOON |

UNIT SPACE REQUIREMENTS – STANDARD CONFIGURATION

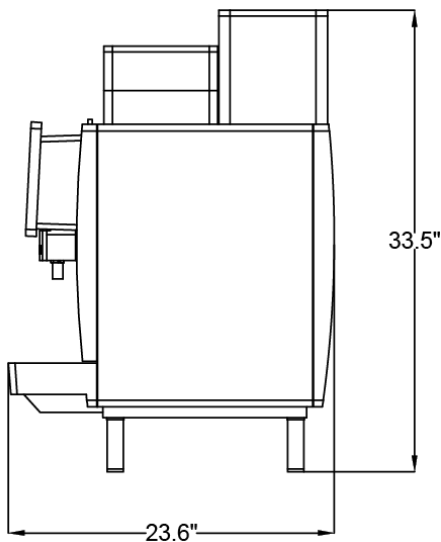
FRONT PROFILE



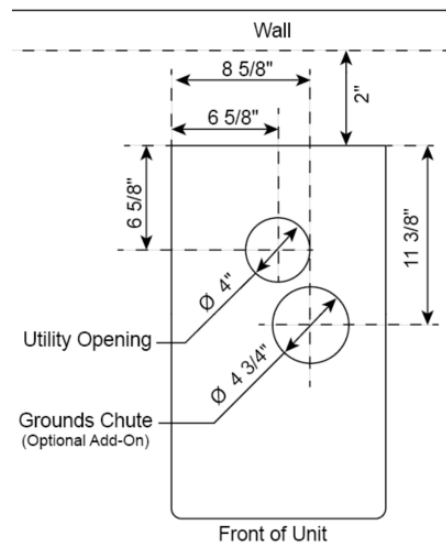
CLEARANCE



SIDE PROFILE




COUNTER HOLE(S) NEEDED









A600

SITE READINESS FORM



| WATER SUPPLY REQUIREMENTS FOR EACH MACHINE | |
|---|---|
| GENERAL | DEDICATED COLD WATER SUPPLY |
| AROMA & COLOR | FRESH AND PURE TASTE, WITH NO PERCEPTIBLE AROMA, CLEAR |
| TOTAL HARDNESS | 70 – 140 PPM (MG/L), 4 – 8 GPG |
| CARBONATE HARDNESS | 50 – 105 PPM (MG/L), 3 – 6° DH (CARBONATE HARDNESS) |
| WATER HARDNESS – TDS | 30 – 150 PPM (MG/L) TOTAL DISSOLVED SOLIDS |
| TEMPERATURE | < 25 °C |
| PRESSURE & FLOW RATE | 80 – 800 KPA (0.8 - 8 BAR), > 0.1 L/SEC |
| ACID CONTENT/PH VALUE | 6.5 - 7.5 PH |
| CHLORINE & CHLORIDE CONTENT | < 0.5 MG/L, < 30 MG/L |
| IRON CONTENT | < 0.3 MG/L |
| MAX. DISTANCE TO WATER SUPPLY CONNECTION | 3 FEET |
| REQUIRED CONNECTION WATER SUPPLY STOP VALVE/SHUT-OFF VALVE: 3/8" COMPRESSION (MALE) |  |

| DRAIN REQUIREMENTS | |
|--|--|
| OVERVIEW | EQUIPPED WITH ONE DRAIN HOSE |
| TYPE FUNNEL-STYLE SANITARY INDIRECT (AIR GAPPED) WASTE RECEPTOR DRAIN OR FLOOR DRAIN COVER |   |
| SIZE | DRAIN MUST BE ABLE TO ACCOMMODATE ONE WASTEWATER HOSE, WITH TOTAL INSIDE DIAMETER NO LESS THAN 2.5" |
| POSITION | BELOW MACHINE - THE WASTEWATER HOSE MUST MAINTAIN A CONTINUOUS DOWNWARD SLOPE TO ENSURE PROPER DRAINAGE |
| MAXIMUM DISTANCE TO DRAIN | 3 FEET |

| ELECTRICAL REQUIREMENTS | | |
|---|---|---|
| SIDE FRIDGE | MAIN UNIT | FLAVOR STATION |
|  |   NEMA L6-30 |  |
| NEMA 5-15R | NEMA L6-30R | NEMA 5-15R |
| 115 VAC / 60HZ / SINGLE PHASE | 208 VAC / 60HZ / SINGLE PHASE | 115 VAC / 60HZ / SINGLE PHASE |
| 15 AMP BREAKER | 30 AMP BREAKER | 15 AMP BREAKER |


| | | |
|---|---------|--------|
| DISTANCE TO RECEPTACLE: MAXIMUM 3 FEET | | |
| RECORD ACTUAL VOLTAGE: L6-30R (MUST BE 200-220V) | | |
| 5-15R: | L6-30R: | 5-15R: |

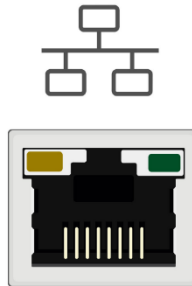
ON-SITE PRODUCT SUPPLY REQUIREMENTS

| | |
|---------------|---|
| COFFEE | 3 LBS. OF EACH WHOLE BEAN COFFEE (ESPRESSO, DARK ROAST, ETC.) |
| MILK | 3 GALLONS OF PREFERRED MILK TYPE (ONLY 1 MILK TYPE REQUIRED FOR CALIBRATIONS) |
| POWDER | 3 LBS. OF CHOCOLATE / CHAI POWDER (VENDING GRADE, WATER SOLUBLE, WHIPPED MIX) |
| SYRUP | 1 BOTTLE OF EACH FLAVORED SYRUP THAT WILL BE USED |
| CUPS | 1 SLEEVE OF EACH CUP SIZE OFFERED |
| ICE | 5 LB. BAG OF ICE FOR ICED BEVERAGES |

FRANKE DIGITAL SERVICES (IF APPLICABLE) UNLESS MODEM SOLUTION IS USED

| | |
|---------------------------------|---|
| OVERVIEW | LAN/ETHERNET CABLE (10 FEET) IF REQUESTED |
| RECEPTACLE TYPE REQUIRED | RJ45 ETHERNET PORT |

| Ethernet/LAN <i>Recommended Option</i> | Connectivity Requirements Ethernet/LAN | |
|---|---|-----------------------|
| Internet connection provided to machine over LAN/Ethernet Cable  | MQTT | Port 8883 |
| | NTP | Port 123 |
| | HTTPS | Port 443 |
| | MQTT Websockets | Port 443/ Port 444 |



ACKNOWLEDGEMENT - STAFFING REQUIREMENTS

MANAGER & CREW TO BE ON SITE AT THE CONCLUSION OF INSTALLATION FOR EQUIPMENT CLEANING & TRAINING

- All sections on this form must be confirmed and completed prior to scheduling installation.
- To help prevent delays in scheduling your installation, it is requested Franke receive this signed form at least 7 business days prior to the requested installation date/time. If this survey is not received by Franke at minimum 3 business days prior to the installation date/time requested, scheduling delays may occur, and it's recommended to reschedule your installation to avoid potential delays and additional charges.
- After arrival, if the technician determines that site readiness differs from what was confirmed per this form or a required item is not complete, the technician will be asked to leave the site and the install will require rescheduling for a later date/time once all required items are confirmed to be complete. A newly completed form will be required prior to rescheduling installation. The Purchasing Customer or Dealer may be charged up to \$650 for incomplete site readiness requirements should the installing technician need to return to complete the installation later. In the event the technician is available to wait for completion of any facility requirements or required product supply as part of the installation process, and the wait does not exceed 1 hour, then a delay fee of \$150 may apply. If the wait time exceeds 1 hour, the installation will be required to be rescheduled for a later date/time and additional rescheduling charges of \$650 may apply.

SIGN-OFF & SUBMISSION

PRINT NAME: _____ **DATE:** _____

SIGNATURE: _____