

A300 Fresh Brew - PLUMBED

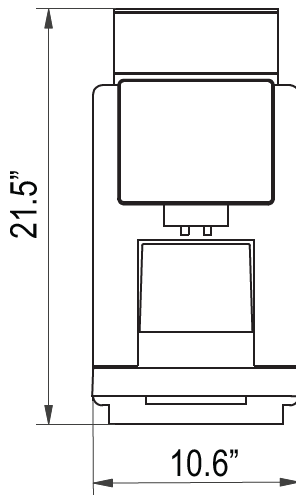
SITE READINESS FORM



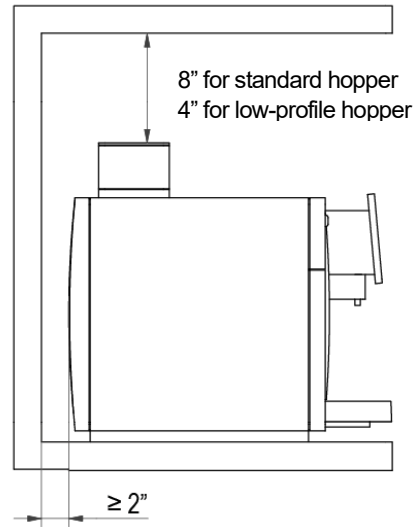
SITE CONTACT INFORMATION	INDIVIDUAL CONFIRMING SITE READINESS	
SITE NAME/STORE #:	NAME:	
STREET ADDRESS:	TITLE:	
CITY, STATE, ZIP:	COMPANY:	
SITE CONTACT NAME:	PHONE #:	
SITE EMAIL:	PREFERRED INSTALLATION DATE:	
SITE PHONE #:	PREFERRED TIME: MORNING	AFTERNOON

UNIT SPACE REQUIREMENTS – STANDARD CONFIGURATION

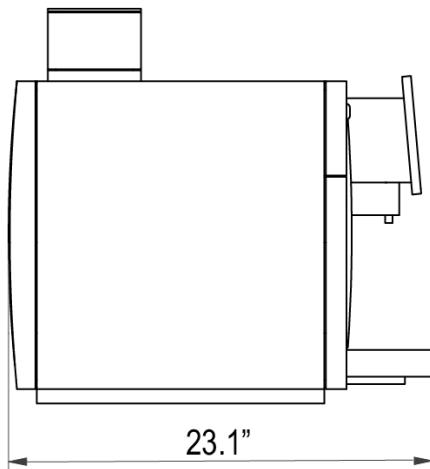
**FRONT PROFILE
(STANDARD HOPPER)**



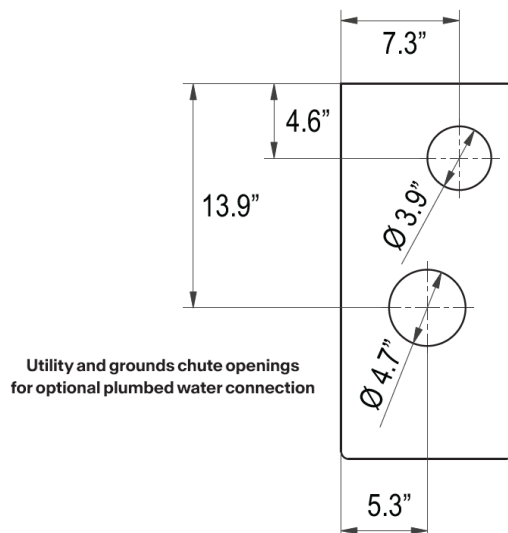
**CLEARANCE
(STANDARD HOPPER)**



**SIDE PROFILE
(STANDARD HOPPER)**



COUNTER HOLE(S) NEEDED



DIMENSIONS

Standard (1.2 lb.) hoppers with plumbed drip tray - 10.6"W x 21.5"H x 23.1"D


Optional (0.55 lb.) low-profile hoppers with plumbed drip tray - 10.6"W x 18.3"H x 23.1"D

A300 Fresh Brew - PLUMBED



SITE READINESS FORM




WATER SUPPLY REQUIREMENTS FOR EACH MACHINE

GENERAL	DEDICATED COLD WATER SUPPLY
AROMA & COLOR	FRESH AND PURE TASTE, WITH NO PERCEPTIBLE AROMA, CLEAR
TOTAL HARDNESS	70 – 140 PPM (MG/L), 4 – 8 GPG
CARBONATE HARDNESS	50 – 105 PPM (MG/L), 3 – 6° DH (CARBONATE HARDNESS)
WATER HARDNESS – TDS	30 – 150 PPM (MG/L) TOTAL DISSOLVED SOLIDS
TEMPERATURE	< 25°C
PRESSURE & FLOW RATE	80 – 800 KPA (0.8 - 8 BAR), > 0.1 L/SEC
ACID CONTENT/PH VALUE	6.5 - 7.5 PH
CHLORINE & CHLORIDE CONTENT	< 0.5 MG/L, < 30 MG/L
IRON CONTENT	< 0.3 MG/L
MAX. DISTANCE TO WATER SUPPLY CONNECTION	3 FEET
REQUIRED CONNECTION: WATER SUPPLY STOP VALVE/SHUT-OFF VALVE: 3/8" COMPRESSION (MALE)	

DRAIN REQUIREMENTS

OVERVIEW	UNIT IS EQUIPPED WITH ONE DRAIN HOSE	
TYPE: FUNNEL-STYLE SANITARY INDIRECT (AIR GAPPED) WASTE RECEPTOR DRAIN OR FLOOR DRAIN COVER		
SIZE	DRAIN MUST BE ABLE TO ACCOMMODATE ONE WASTEWATER HOSE, WITH TOTAL INSIDE DIAMETER NO LESS THAN 2.5"	
POSITION	BELOW MACHINE - THE WASTEWATER HOSE MUST MAINTAIN A CONTINUOUS DOWNWARD SLOPE TO ENSURE PROPER DRAINAGE	
MAXIMUM DISTANCE TO DRAIN	3 FEET	

ELECTRICAL REQUIREMENTS

	NEMA 5-15R
	120 VAC / 60 HZ / SINGLE PHASE
	15 AMP BREAKER
	DISTANCE TO RECEPTACLE: MAXIMUM 3 FEET
	RECORD ACTUAL VOLTAGE 5-15R:

A300 Fresh Brew - PLUMBED

SITE READINESS FORM





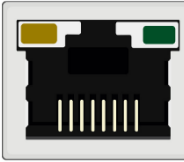
ON-SITE PRODUCT SUPPLY REQUIREMENTS

COFFEE	3 LBS. OF EACH WHOLE BEAN COFFEE (LIGHT ROAST, DARK ROAST)
CUPS	1 SLEEVE OF 10 OZ. STANDARD CUPS (UNLESS OTHERWISE NOTED)
ICE	5 LB. BAG OF ICE FOR ICED BEVERAGES

FRANKE DIGITAL SERVICES (IF APPLICABLE) UNLESS MODEM SOLUTION IS USED

OVERVIEW	LAN/ETHERNET CABLE (10 FEET) IF REQUESTED
RECEPTACLE TYPE REQUIRED	RJ45 ETHERNET PORT

Ethernet/LAN <i>Recommended Option</i>	Connectivity Requirements Ethernet/LAN	
Internet connection provided to machine over LAN/Ethernet Cable 	MQTT	Port 8883
	NTP	Port 123
	HTTPS	Port 443
	MQTT Websockets	Port 443/ Port 444

ACKNOWLEDGEMENT - STAFFING REQUIREMENTS

MANAGER & CREW TO BE ON SITE AT THE CONCLUSION OF INSTALLATION FOR EQUIPMENT CLEANING & TRAINING

- All sections on this form must be confirmed and completed prior to scheduling installation.
- To help prevent delays in scheduling your installation, it is requested Franke receive this signed form at least 7 business days prior to the requested installation date/time. If this survey is not received by Franke at minimum 3 business days prior to the installation date/time requested, scheduling delays may occur, and it's recommended to reschedule your installation to avoid potential delays and additional charges.
- After arrival, if the technician determines that site readiness differs from what was confirmed per this form or a required item is not complete, the technician will be asked to leave the site and the install will require rescheduling for a later date/time once all required items are confirmed to be complete. A newly completed form will be required prior to rescheduling installation. The Purchasing Customer or Dealer may be charged up to \$650 for incomplete site readiness requirements should the installing technician need to return to complete the installation later. In the event the technician is available to wait for completion of any facility requirements or required product supply as part of the installation process, and the wait does not exceed 1 hour, then a delay fee of \$150 may apply. If the wait time exceeds 1 hour, the installation will be required to be rescheduled for a later date/time and additional rescheduling charges of \$650 may apply.

SIGN-OFF & SUBMISSION

PRINT NAME:

DATE:

SIGNATURE: