

Specialty made simple. Whether you're serving coffee in a c-store, hotel, or workplace, the compact A400 is a straight-forward solution for upgrading a coffee program. With integrated features such as the FoamMaster™ milk system for barista-quality hot and cold foam, the ability to craft the perfect beverage is right at your fingertips. The 8" intuitive and configurable touch screen makes the A400 a state-of-the-art coffee machine that can always be relied on and, thanks to the CleanMaster™ automatic milk cleaning system, it is easy to maintain as well: simply follow the prompts on the display to achieve the strictest standards of cleanliness in just a few simple steps.

Small footprint, full flavor.

UNIT	CUPS PER DAY
A400	Up to 100



Touch Screen

8-inch comfort display with incredibly simple operating concept and attractive product presentation.



FoamMaster™
For perfect foam, every time.



Franke Digital Services
A clear view of commercial and operational performance.

Technical Data

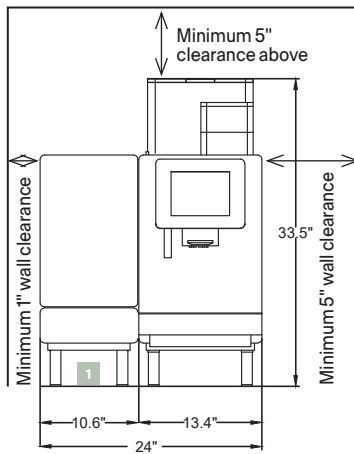
Machine Models

Model	Specification
A400	208V (30A)
Electrical Connection	13.4"W x 33.5"H in x 23.6"D
Dimensions	120V (15A)
SU05 CM Electrical	10.6"W x 25.2"H x 18.7"D
SU05 CM Dimensions	Approx. 168 lbs (FM CM incl. SU05 CM)
Weight (empty)	

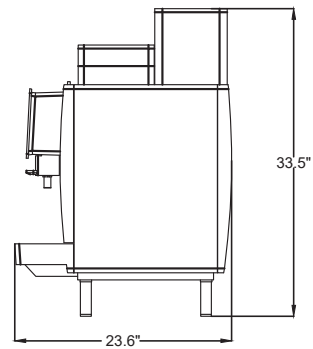


L6-30R

Standard Configuration - Front Profile



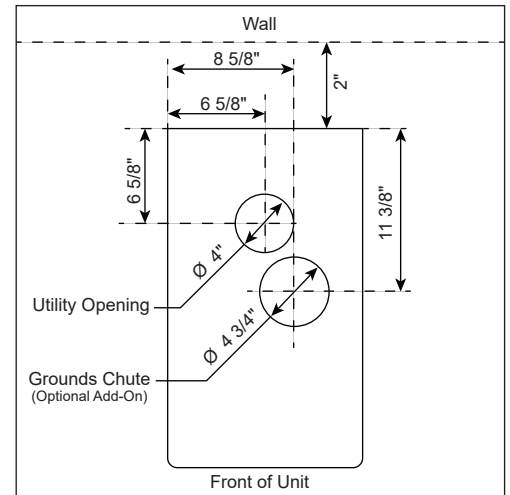
Side Profile



Water quality requirements

Aroma	Fresh and pure taste, with no perceptible aroma
Color	Clear
Total Hardness	70 – 140 ppm (mg/l) 4 – 8 gpg
Carbonate hardness	3 – 6° dH CH (carbonate hardness) 50 – 105 ppm (mg/l)
Acid content/ph value	6.5 – 7.5 pH
Chlorine content	< 0.5 mg/l
Chloride content	< 30 mg/l
TDS (Total dissolved solids)	30 – 150 ppm (mg/l)
Electrical conductivity	50 – 200 μ S/cm (microsiemens)
Iron Content	< 0.3 mg/l
Water pressure	80 – 800 kPa (0.8 – 8 bar)
Flow rate	> 0.1l/sec
Water temperature	< 25°C

Utility and Grounds Chute Openings



Water connection and drain

Water connection	3/8" compression fitting, L = 59"
Drain hose	Dia = 0.75" OD, L = 78.7"

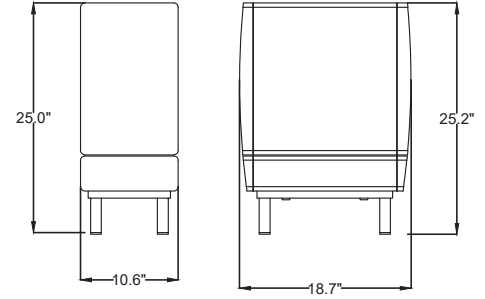
Add-on units

1 Refrigeration unit


SU05 CM (5l) (1 Gallon Milk)
Electrical connection 120V (15A)
Dimensions 10.6"W x 25.2"H x 18.7"D
Weight (empty) Approx. 53 lbs
Compatible with A400 FM CM
Color Black



5-15R



Digital services connectivity requirements

OPTION 1		OPTION 2	OPTION 3	
		Additional costs may apply	Limitations may apply	
Ethernet/LAN <i>Recommended Option</i>	Connectivity Requirements Ethernet/LAN	Franke Connection KIT Cellular/ WiFi (Modem)	3rd Party Cellular Modem/ WiFi	
Internet connection provided to machine over LAN/Ethernet Cable 	MQTT	Mobile: Private APN (Roaming partner) 4G 2 x LAN ports to connect Modem connects up to 2 machines Wifi capability upon request	Mobile: Cellular or WiFi connection Customer provides modem	
	NTP			
	HTTPS			
	MQTT Websockets			
	Port 8883	Port 123	Port 443	Port 443/ Port 444

Customer is responsible for all connectivity.



ETL LISTED CONFORMS TO
UL STD 197 CERTIFIED TO
CSA STD C22.2
NO 1093 | 123505



CONFORMS TO
NSF STD 4

Let's go premium everywhere.



Franke Digital Services
A clear view of commercial
and operational performance.

1 A400 Features

- Bean hoppers / Bean grinders: 2 x 2.6 lbs, lockable
- One powder dosing system (chocolate or chai powder), lockable
- Cup sensor

Optional Features:

- Second powder dosing system (chocolate or chai powder), lockable
- Coffee grounds chute

2 Milk and Cleaning Systems

- FoamMaster™ (FM): hot and cold milk and milk foam, individually adjustable consistency, integrated cleaning system
- CleanMaster (CM): fully automatic cleaning system with integrated cleaning cartridge.
- CM provides outstanding hygiene and unbeatable simplicity, efficiency and convenience

Special Order:

- Milk system (MS): hot and cold milk and warm milk foam, exact dosing via milk pump
- EasyClean (EC): automatic cleaning system with manual addition of the cleaning fluid. Perfect hygiene in just a few steps



Franke Kaffeemaschinen AG
cs-info.ch@franke.com

Franke Coffee Systems GmbH
cs-info.de@franke.com

Franke Coffee Systems Americas
cs-coffeesales.us@franke.com

Franke Coffee Systems UK
sales@frankecoffeesystems.co.uk

[us.coffee.franke.com](https://www.us.coffee.franke.com)