

# Undercounter Freezer Units

Model	Size
EU27X-SI	29" Unit
EU47X-SI	47" Unit



### STANDARD FEATURES

- 6DLOHVVMH0H0HULRULHURU
- Refrigeration system keeps food at safe temperatures between -8°F and 0°F
- Self-Closing doors with 90 degree stay-open feature.
- Shelves: Adjustable heavy-duty PVC coated shelves.
- Electronic control system makes it easy to adjust temperature set point and defrost frequency.
- Pre-installed 4" swivel casters with brakes.
- Easy to access condenser coil for cleaning and service.
- Uses R290 refrigerant, which is eco-friendly and more efficient.
- Warranty: Two year parts & labor warranty, and additional three years on compressor.

\*Not suitable for installation in a non-commercial or residential applications.

Items	Description	Items	Description
Front, top & sides	Stainless steel	Temperature control	Solid state thermostat/Digital display
Doors	Stainless steel	Approvals	ETL LISTED
External back	Aluminum	Refrigerating system	Capillary tube
Cabinet interior	Aluminum	Refrigerant	R290
Interior floor	Stainless steel	Temperature range	-8°F to 0°F
Insulation	Polyurethane (CFC free)	Evaporator	Powder coated aluminum/copper
Shelves	Heavy duty, PVC coating	Condensing unit	Bottom mounted

CONFORMS TO NSF/ANSI STD 7

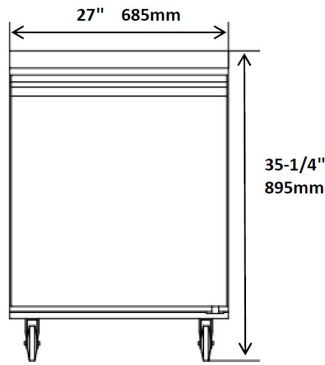
REFRIGERATION



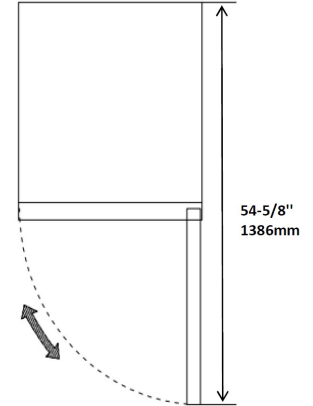
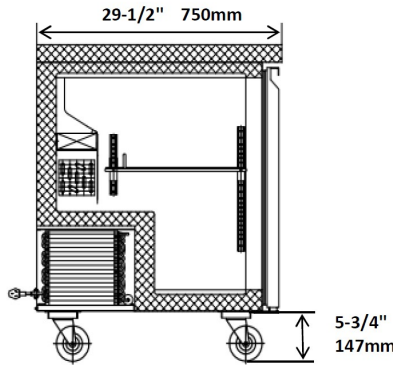


# DETAILS AND DIMENSIONS

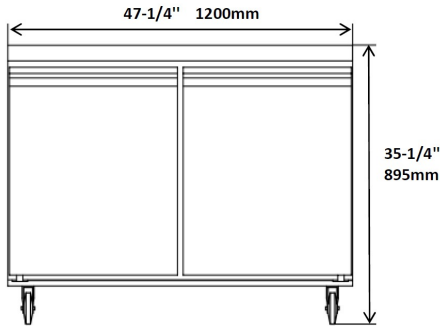
EU27X



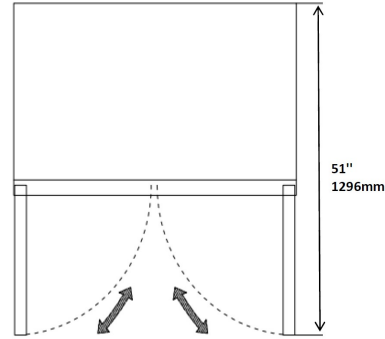
Side View Same For All



EU47X



EU47X



Model	Doors	Shelves	Cabinet Dim (inches)			HP	Voltage	Amps	NEMA Plug	Cord Length	Ship Weight
			L	D	H						
EU27X	1	1	27	29.5	35.25	1/5	115/60/1	2.1	5-15P	10	233
EU47X	2	2	47.25	29.5	35.25	1/4	115/60/1	3.1	5-15P	10	312

**Contact your Southern Ice Rep and or Distribution Center for more details on Entrée's product value, stock, and free freight programs.**

Lafayette, LA: 337-235-5813 New Orleans: 504-734-5024 Jackson, MS: 601-923-3332  
 Little Rock, AR: 501-569-9318 Phoenix, AZ: 602-470-2366 Albuquerque, NM: 505-247-0330 Houston, TX: 713-742-9010