

# PRODUCT SPECIFICATION

# BSG AC

**Product Family:** BSG AC

**Model:** AC-05, AC-10, AC-20, AC-30

**Description:** Air and Surface Purifier

## Power information

<b>Input voltage:</b>	100-240 V AC
<b>Input frequency:</b>	50/60 Hz
<b>Amperage:</b>	0.16-0.06 A
<b>Electric consumption:</b>	16 W
<b>Plug:</b>	Country-specific

## Sizing information

- Specified by volume or odor sources
- AC-05:** Small, single closet
- AC-10:** Small to medium, ≤3 odor sources
- AC-20:** Medium, ≤6 odor sources
- AC-30:** Large, ≤6 odor sources
- High trafficked areas may require a larger model
- Large areas may require multiple units

## Features

- Wall plug or mains installation
- 4m (13') power cord
- Ceiling or wall mount kit
- Space saving design

## Applications

- Animal odor removal
- Care homes/nursing homes
- Food storage
- Garbage/rubbish collection
- Gymnasiums
- Odor abatement
- Restrooms/washrooms
- Smoke removal

## Warranty

One year parts and labor on entire unit.

## BSG AC System

- Eliminate odors, smoke and chemicals
- Reduce bacteria, viruses, mold, and other micro-contaminants
- Improve the hygiene in the air and on surfaces
- Certified to be safe, proven to be effective
- Designed specifically for restrooms/washrooms and more
- Portable or fixed installations
- Completely automated and chemical-free
- Maintenance free - requires simple annual UV lamp replacement(s)



e: [technical@bsg-uv.com](mailto:technical@bsg-uv.com)

w: [bsg-uv.com](http://bsg-uv.com)

t: +44 (0) 79514 41326

a: 72 Paris St, Exeter EX1 2JY



© BSG 2022

# PRODUCT SPECIFICATION

# BSG AC

**Product Family:** BSG AC

**Model:** AC-05, AC-10, AC-20, AC-30

**Description:** Air and Surface Purifier



## Contents

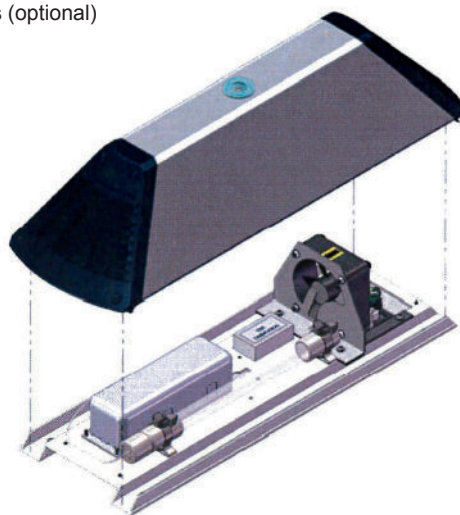
- UV lamp (pre-installed)
- Owner's Manual and Installation Guide
- Lock key
- Wall anchor (optional)
- Mounting screws (optional)

## Validation studies

**BSG technology is shown to reduce:**

By up to (%)	
>99.999	Avian Influenza Virus (H5N2) <sup>5</sup>
>99.999	Parainfluenza Virus (hPIV-3) <sup>5</sup>
>99.999	Surface E. coli <sup>1,2</sup>
>99.999	Surface Listeria <sup>2</sup>
100	Surface Salmonella <sup>2</sup>
98.24	Airborne bacteria <sup>3</sup>
100	Airborne H <sub>2</sub> S <sup>4</sup>

1. Test performed by Pennsylvania State University
2. Test performed by Tri-Tech Analytical Laboratories
3. Test performed by LAWN Environmental Ltd
4. Test performed by SMQ Academy
5. Test performed by CNRS

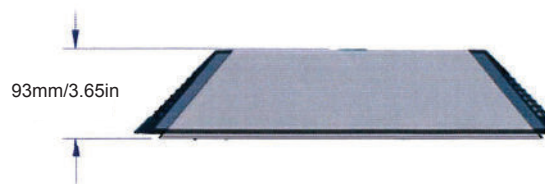
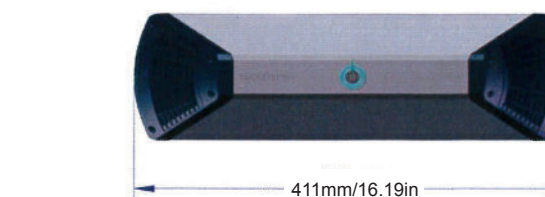


## Reorder information

Parts	Code
AC-05	10-08010
AC-10	10-08025
AC-20	10-08050
AC-30	10-08100

## Specifications

Length	41.2cm (16.2")
Width	13.2cm (5.2")
Height	9.3cm (3.65")
Weight	1.13kg (2.5lbs)
Power cord length	33cm (13")



e: [technical@bsg-uv.com](mailto:technical@bsg-uv.com)  
t: +44 (0) 79514 41326

w: [bsg-uv.com](http://bsg-uv.com)  
a: 72 Paris St, Exeter EX1 2JY



© BSG 2022