



ISE Advantage

Ice Storage, Dispensing & Transportation Equipment



2415-SBB shown



Toll Free Phone: 1-800-346-3246

Local Phone: (303) 761-1615

Fax: (303) 789-1741

E-mail: sales@kloppenberg.com

www.kloppenberg.com

10/23/2019

Printed in U.S.A.

Job _____

Item _____

60" Upright Bins

Model Number

1915

2415

FEATURES

- Large opening for scoop dispensing
- Full stainless steel—front, back, bottom, sides and liner
- 1 ½" foamed in-place polyurethane insulation
- Stainless steel baffle prevents ice overflow
- Adjustable feet
- Factory installed 1" IPS plastic drain
- Spring loaded door hinge
- Transparent view windows
- FOB origin on all freight unless pre-approved

ASSEMBLY REQUIRED

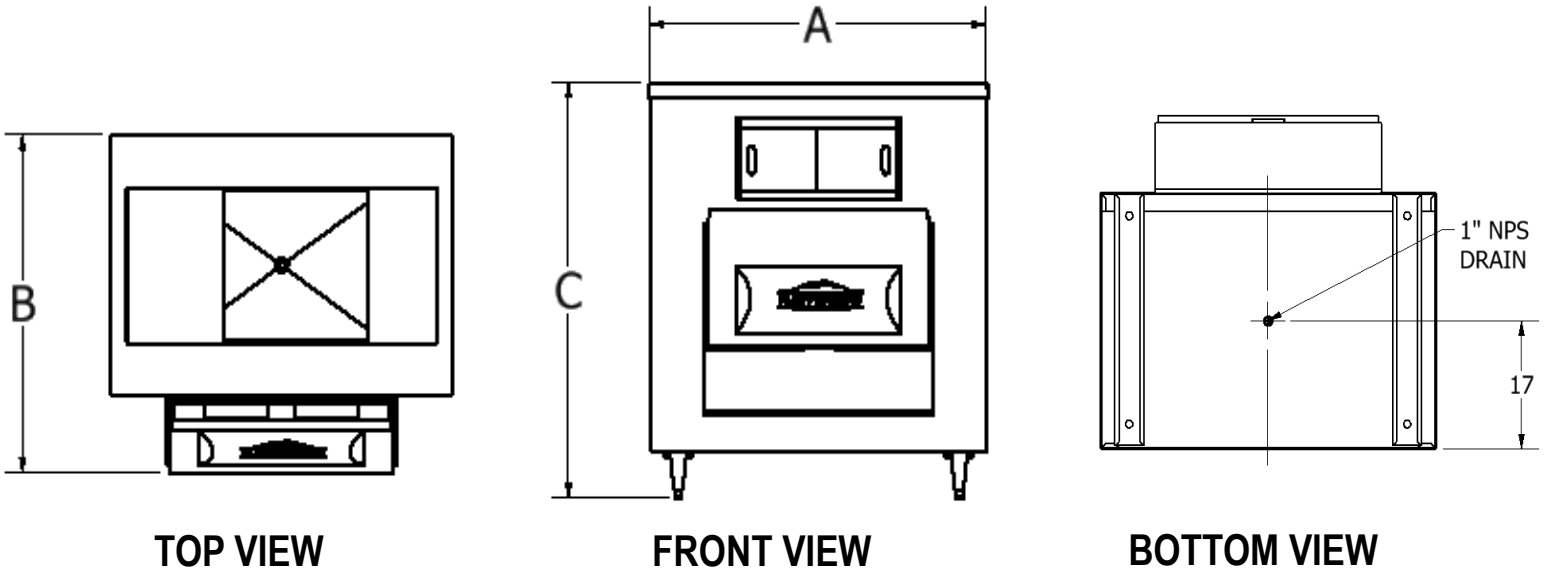
- Snout (tool-free)
- Feet

OPTIONS

- Sleeves for additional capacity
- Private labeling
- Custom modifications

Model Number
1915
2415

60" Upright Bins



Contact factory for details on CAD Symbols Library availability on this product

Model Number	Capacity lbs (kg)	A-Width in (mm)	B-Depth* in (mm)	C-Height in (mm)	Minimum Door Clearance	Ship Weight lbs (kg)
1915	2,180 (988)	60 (1,524)	58.5 (1,485)	55 (1,397)	48 (1,219)	440 (200)
2415	2,725 (1,236)	60 (1,524)	58.5 (1,485)	67 (1,727)	48 (1,219)	635 (289)

*Includes 10.5" depth for snout

OPTIONS:

- Fully welded stainless steel liner (coved corners)
- Prison package
- Bullet or flanged feet

AVAILABLE ACCESSORIES:

- Paddles
- Scoops
- Carts
- Bagging Kit
- Totes

Toll Free Phone: 1-800-346-3246 Local Phone: 303-761-1615 Fax: 303-789-1741

Email: sales@kloppenberg.com

Please send all PO's to purchaseorders@kloppenberg.com

10/23/2019

Printed in U.S.A.