



KLOPPENBERG

Quality is the Best Buy

ISE Advantage

Ice Storage, Dispensing & Transportation Equipment



1045SBB shown



Toll Free Phone: 1-800-346-3246

Local Phone: (303) 761-1615

Fax: (303) 789-1741

E-mail: sales@kloppenberg.com

www.kloppenberg.com

10/21/2019

Printed in U.S.A.

Job _____

Item _____

48" Upright Bins

Model Number

1045

1315

FEATURES

- Large opening for scoop dispensing
- Seamless polyethylene liner with covered corners
- 1 ½" foamed in-place polyurethane insulation
- Stainless steel baffle prevents ice overflow
- Adjustable feet
- Factory installed 1" IPS plastic drain
- Spring loaded door hinge
- Transparent view windows
- FOB origin on all freight unless pre-approved

ASSEMBLY REQUIRED

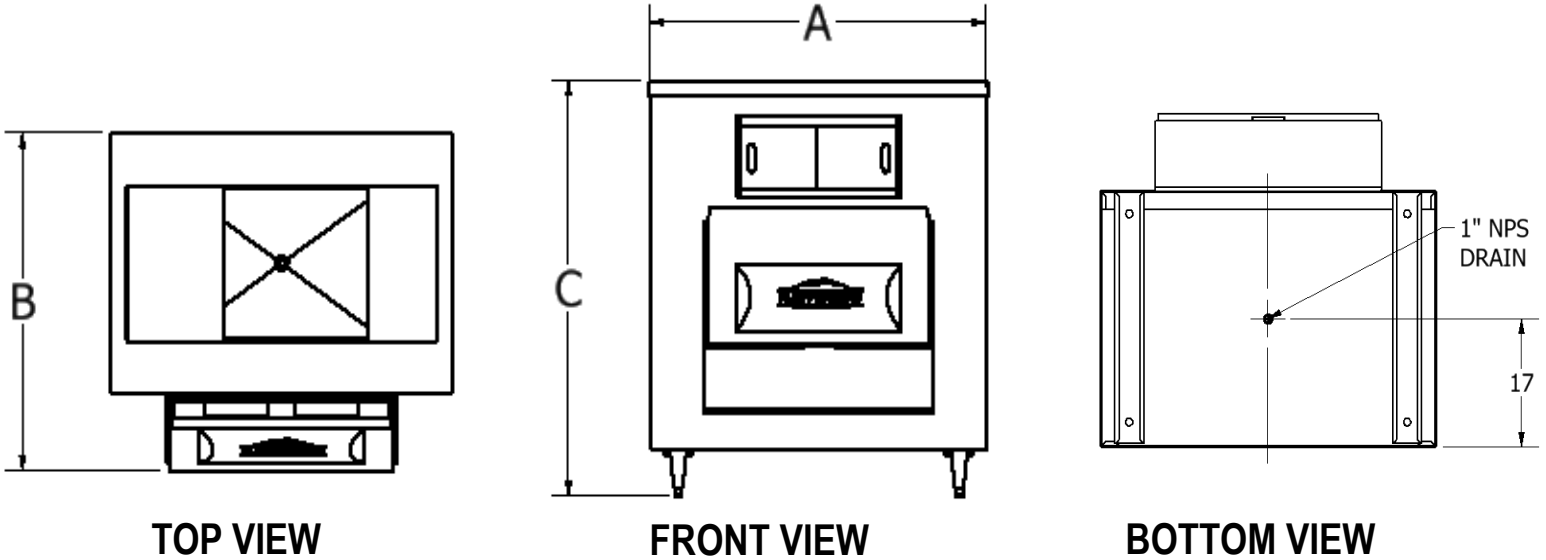
- Snout (tool-free)
- Feet

OPTIONS

- Sleeves for additional capacity
- Private labeling
- Custom modifications

Model Number
1045
1315

48" Upright Bins



Contact factory for details on CAD Symbols Library availability on this product

Model Number	Capacity lbs (kg)	A-Width in (mm)	B-Depth* in (mm)	C-Height in (mm)	Minimum Door Clearance in (mm)	Ship Weight lbs (kg)
1045	1,161 (526)	48 (1,219)	44.5 (1,130)	55 (1,397)	34 (864)	300 (136)
1315	1,457 (660)	48 (1,219)	44.5 (1,130)	67 (1,701)	34 (864)	340 (155)

*Includes 10.5" depth for snout

OPTIONS:

- SBB—Stainless steel front, sides, back and bottom
- SS—Stainless steel front and sides only
- Standard stainless liner
- Fully welded stainless steel liner (coved corners)
- Prison Package
- Bullet or flanged feet

AVAILABLE ACCESSORIES:

- Paddles
- Scoops
- Carts
- Bagging Kit
- Totes

Toll Free Phone: 1-800-346-3246 Local Phone: 303-761-1615 Fax: 303-789-1741
 Email: sales@kloppenberg.com
 Please send all PO's to purchaseorders@kloppenberg.com