

Project:



**Scan for more info!**

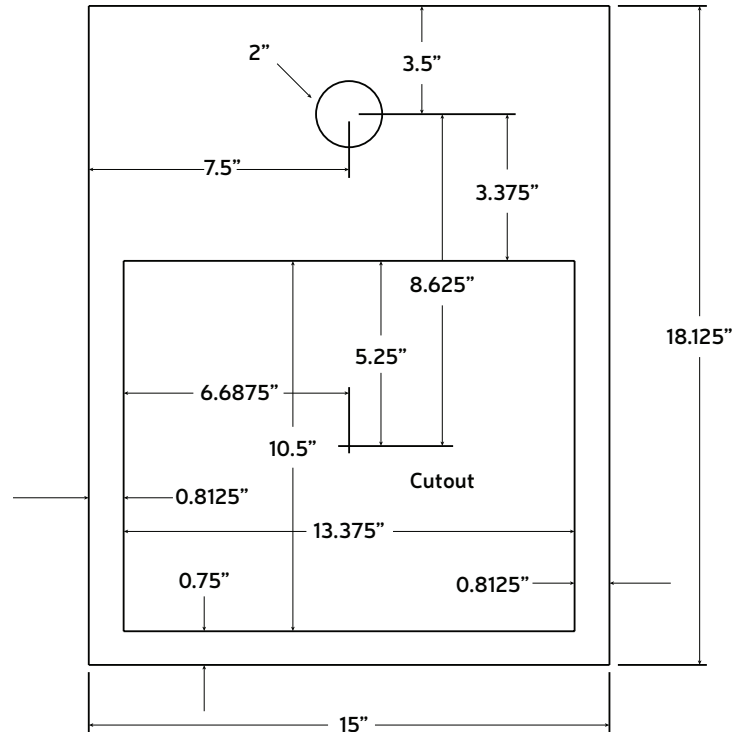
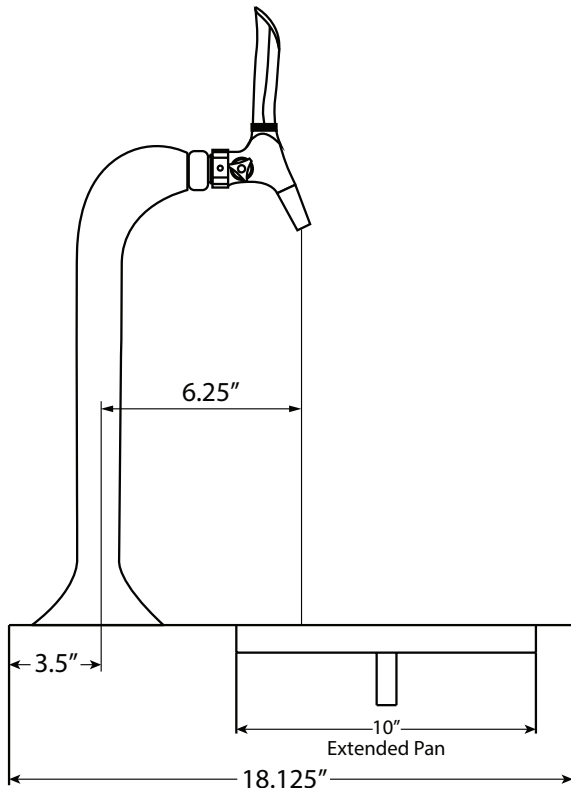
Owners manual  
Quick install  
Quick sizing  
Install layout  
Parts list

**RDP-3SSQ**  
Recessed Drain Pan

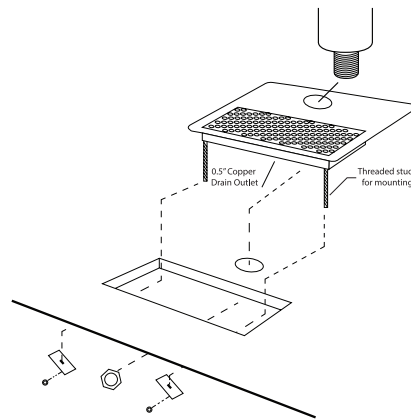


**Specifications**

- Flush mount, recessed drain pan design
- 15"W x 18.125"D x 0.75" Recessed
- For use with CBR-V3, LIT-V3C and CRVS-V2C towers
- Stainless steel construction



- 2" hole for tower.
- 13.375" x 10.5" drain pan section cutout
- 0.5" copper drain stem
- 2" threaded studs for mounting, 10-24 thread with locking nut and 3" x 1" stainless steel mounting strips



**For use with:**

□ CBR-V3



□ LIT-V3C



□ CRVS-V2C

