

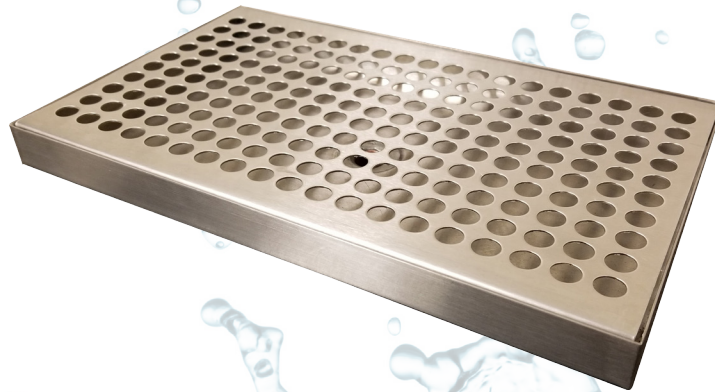
Project:



Scan for more info!

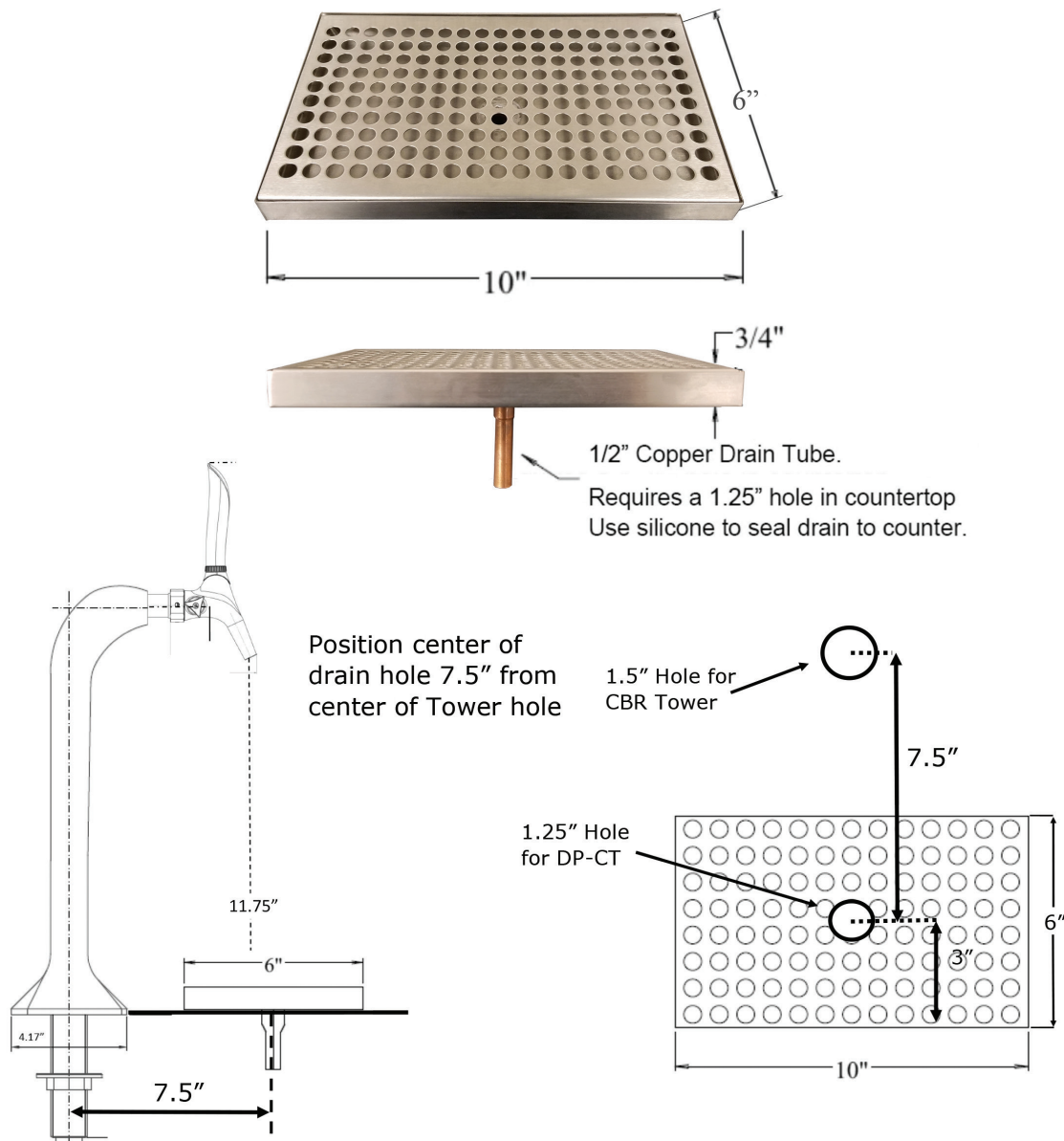
Owners Manual
Quick Install
Quick Sizing
Install Layout
Parts List

DP-CT
Drain Pan Countertop Mount



Specifications

- Countertop mount drain pan, 1/2" drain pipe
- 10"W x 6"D x 0.75"H
- For use with CBR-V1, CBR-V2 and LIT-V2C towers
- Removable drain grate for cleaning
- Stainless steel construction



For use with:

□ CBR-V1



□ CBR-V2



□ LIT-V2C

