

USE0050 Square Cube Ice Machine

USE0050 Square Cube Ice Machine

Models: USE0050A



USE0050A

Standard Features

- Produces up to 45 lbs. (20 kgs) of ice in 24 hours with storage capacity of 25 lbs. (11 kgs)
- Individual cubes with unique square shape.
- Designed to be installed into standard cabinet dimensions 15.00" (38.00 cm) or stand alone with stainless steel top and sides standard.
- Easily accessible control panel with the following functionality:
 - Automatic ice making mode.
 - Patented cleaning and sanitizing.
 - Delay start option.
 - Filter replacement warning light.
- Water filter system integrated inside machine with depth filtration and scale inhibitor.
- Lighted bin (LED light) with large opening for easy access.
- Optional drain pump easily integrates inside the machine during installation.

Warranty

- 3-year commercial parts and labor warranty on entire machine.

Cube Size

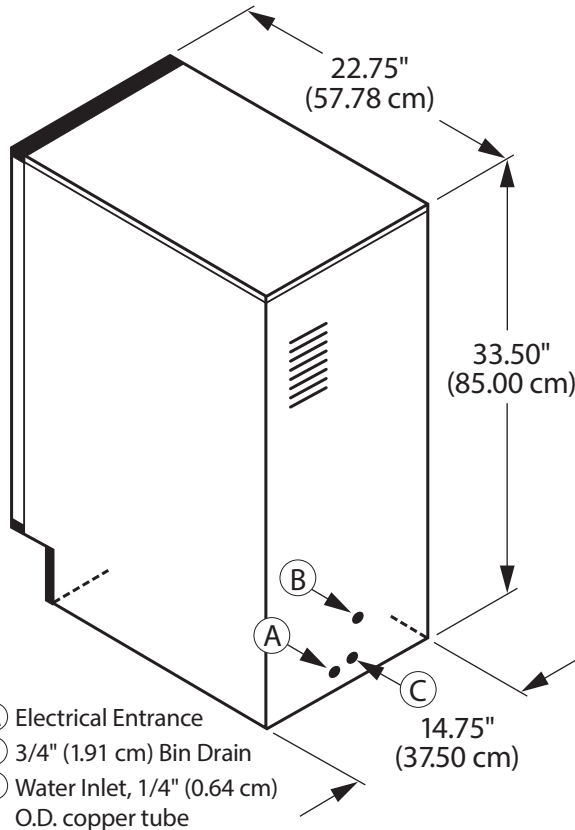


Square
1.5" x 1.5" x 1.5"
40g square cube





USE0050 Square Cube Ice Machine



Installation Note - There is no minimum clearance required, designed to be integrated into cabinet opening 15.00" (38.00 cm) wide.

Ice Machine Electric

115/60/1 Factory pre-wired with a 6' (180 cm) power cord and NEMA 5-15P-plug configuration.

Total Amps: 4.1

Max. fuse size: 15 amps

HACR-type circuit breakers can be used in place of fuses.

Specifications

BTU Per Hour:

1,145 (average) 2,300 (peak)

Compressor:

Nominal rating: 1/6 HP

Operating Limits:

- Ambient Temperature Range: 50° to 110°F (10° to 43°C)
- Water Temperature Range: 35° to 90°F (2° to 32°C)
- Water Pressure Ice Maker Water In: Min. 20 psi (138 kPA) Max. 80 psi (551 kPA)

Legs:

Levelers standard 0" to 1" (0-2.5 cm) adjustability.
Optional legs (K-00345) 4.25"-6.00" (10.80-15.24 cm).

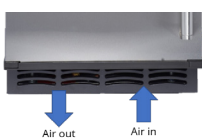
Insulation:

Insulation foamed-in-place with CFC-FREE foam.

Model	Ice Shape	Ice Production in 24 Hours				Power kWh/100 lbs @90°/70°F
		70° Air/50° F Water		90° Air/70° F Water		
		21° Air/10° C Water		32° Air/21° C Water		
		lbs.	kgs.	lbs.	kgs.	
USE0050A	Square	45	20	35	15	22
Water Usage: 100 gal (45.4 kgs of ice)						
Potable Water: 50 gal (189 liters)						

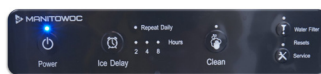
"A" following model number indicates "Air" cooled condensing unit.

Air Flow Front View



Air in the right, air out left, no side, and vents

Front Access Control Panel



Machine automatically keeps the bin full. Choose delay start for optimal quietness. Machine automatically restarts.

Water Filter



Auto-bypass for easy change out. Replacement water filter is AR-2800 (K-00374 12 pk)

Welbilt reserves the right to make changes to the design or specifications without prior notice.