

Project \_\_\_\_\_  
 Item \_\_\_\_\_  
 Quantity \_\_\_\_\_  
 CSI Section 11400  
 Approved \_\_\_\_\_  
 Date \_\_\_\_\_

# USP0100 CrystalCraft™

USP0100 CrystalCraft™ Ice Machine

Model - 60Hz

USP0100



Model USP0100  
CrystalCraft  
Ice Machine

## Standard Features

- Up to 100 lbs (45.4 kgs) of daily square cube ice production.
- 38 lbs (17.2 kgs) or 868 cubes ice storage capacity.
- Heavy duty stainless steel cabinet resists corrosion.
- Square cube ice adds to the presentation of the drink and differentiates it from the competition

## Standard Equipment

Ice Scoop, 6" Bin Legs, Standard Legs Adjustable from 4-1/2" to 6"

## Warranty

3 years parts and labor.

## Ice Machine Electric

- 115/60/1  
115/60/1 ice machines are factory pre-wired with a 6' (180 cm) power cord and NEMA 5-15P plug configuration

### Total ampacity:

Air-cooled: 10 amps

### Maximum fuse size:

Air-cooled: 15 amps

HACR-type circuit breakers can be used in place of fuses

## Specifications

### Condenser Heat of Rejection (BTU per hour):

2350 Average  
3637 peak

### Compressor:

Nominal rating: 1/3 HP

### Refrigerant:

R290

### Operating Limits:

Ambient  
Temperature Range:  
50°-110°F (10°-43°C)

Water  
Temperature Range:  
40°-90°F (4°-32°C)

Water Pressure Ice Maker  
Water In:  
Min. 20 psi (137.9 kPa)  
Max. 80 psi (551.6 kPa)

## Ice Shape

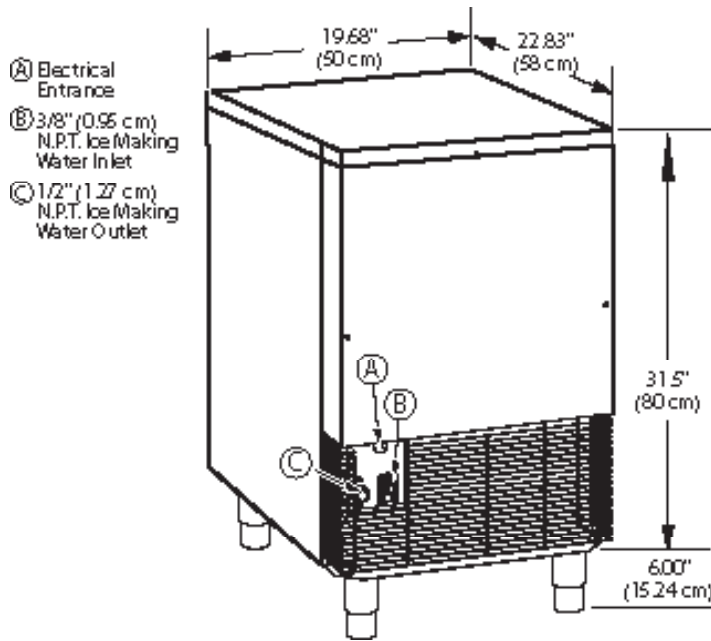
The crystal clear square cube weighs 22.5g and is 1"x1"





USP0100 CrystalCraft™ Machine

USP0100



- (A) Electrical Entrance
- (B) 3/8" (0.95 cm) N.P.T. Ice Making Water Inlet
- (C) 1/2" (1.27 cm) N.P.T. Ice Making Water Outlet

**Installation Note**  
 Minimum installation clearance:  
 Sides: 2" (5.1 cm), back: 8" (20.3 cm), top: 2" (5.1 cm)

Space-Saving Designs

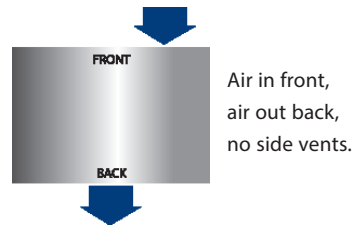


**USP0100**

Height	37.5" 95.25 cm
Width	19.68" 50 cm
Depth	22.83" 58 cm
Bin Storage	38 lbs. 17.2 kgs

Height includes adjustable bin legs 4.50" to 6.00", 11.43 cm to 15.24 cm set at 6.00" (15.24 cm).

**Air Flow Overhead View**



Air-cooled Ice Machine	Model	Ice Shape	Ice Production 24 Hours		Power kWh/100 lbs @ 90°Air/70°F	Potable Water Usage (100 lbs./45.4 kgs of Ice)	Bin Storage Capacity
			70°Air/50°F Water	90°Air/70°F Water			
	USP0100	Square	100 lbs.	85 lbs.	9.62	55 gal.	38 lbs.
			45.4 kgs	38.5 kgs			

Welbilt reserves the right to make changes to the design or specifications without prior notice.