



Item: \_\_\_\_\_

Quantity: \_\_\_\_\_

Project: \_\_\_\_\_

30" Deep Snap Action Griddle

## Delux Series

Models:  RDSAC-24-D  RDSAC-36-D  RDSAC-48-D  RDSAC-60-D  
 RDSAC-72-D



RDSAC-36-D

Gas Type:  Natural  LP

Elevation (if above 2000 ft.): \_\_\_\_\_

### Standard Features

- 30" deep cooking surface
- Fully welded frame with lifetime warranty
- 1,200°F mineral wool insulation
- Safety pilot with electronic ignition
- Large 1½ gallon capacity stainless steel grease can (2 ea on 60" & 72" units)
- Stainless steel sides and front valve cover
- Heavy duty Stainless Steel "U" shaped burner every 12" rated at 30,000 BTU/hr each
- Solid state control with sensor embedded in the plate
- Aeration panels between the burners for added efficiency
- 1" thick griddle plate with polished cooking surface
- 4" wide S/S grease trough with large drain opening for easy cleaning
- Stainless steel tubing for burners and pilots
- 4" high adjustable heavy duty legs included

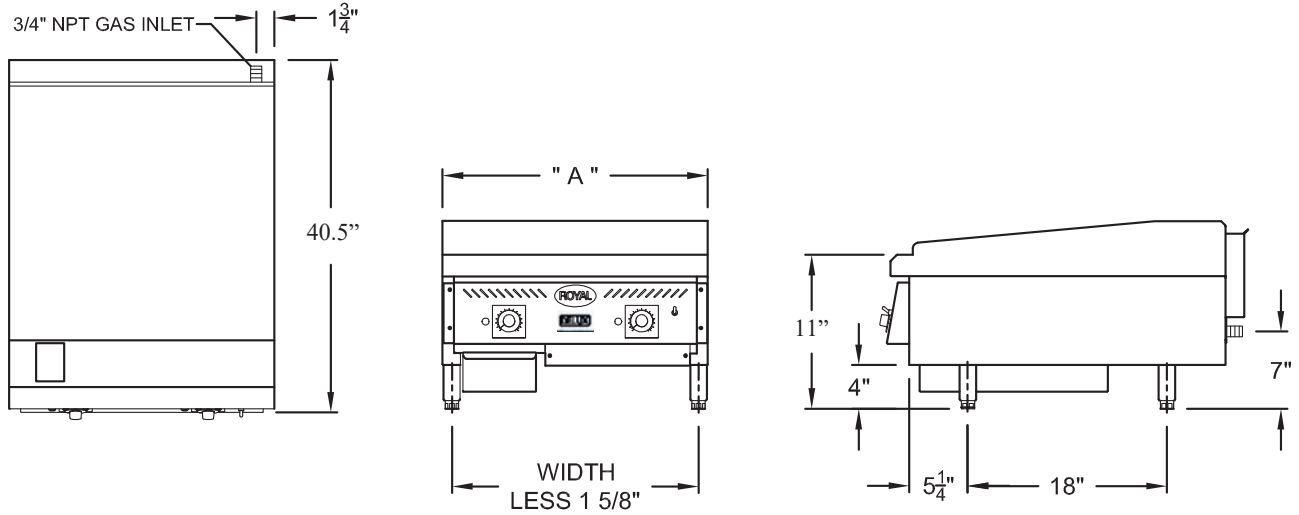
### Options and Accessories

- Grooved griddle (specify width: \_\_\_\_\_")
- Chrome griddle plate
- Piezo Igniter - Manual Spark Ignition
- Stainless Steel Equipment Stand
  - Knock Down  All Welded
- Size
  - 24"  36"  48"  60"  72"
  - 5" swivel casters (set of four - 2 locking)
  - 5" swivel casters (set of six - 3 locking) (60" and 72" models)



**2 YEAR LIMITED, PARTS AND LABOR WARRANTY**

# 30" Deep Snap Action Griddle



Model Number	Width (A)	Number of Thermostats	Number of Burners	Total BTU	Ship Weight
RDSAC-24-D	24"	2	2	60,000	215 lbs.
RDSAC-36-D	36"	3	3	90,000	300 lbs.
RDSAC-48-D	48"	4	4	120,000	350 lbs.
RDSAC-60-D	60"	5	5	150,000	640 lbs.
RDSAC-72-D	72"	6	6	180,000	745 lbs.

**Notes:**

**Gas Connection:**

3/4" NPT on the right hand rear of the appliance.

The pressure regulator (supplied) is to be connected by the installer.

Specify type of gas and altitude, if over 2,000 feet, when ordering.

**Electrical:** 120V, 60Hz, 1 phase, 1 amp

Provided with 6' power cord fitted with standard 3 prong grounded plug

**Gas Pressure:**

5" W.C.	Natural Gas
10" W.C.	Propane

**Clearances:**

	Combustible	Non-Combustible
Rear	6"	0"
Sides	4"	0"

Due to continuing product development to ensure best possible performance, these specifications are subject to change without prior notification.

**Royal Range of California, Inc.**  
 3245 Corridor Dr. • Eastvale, CA 91752 • (800) 769-2414 • (951) 360-1600  
 Fax: (951) 360-7500 • www.royalranges.com • sales@royalranges.com