



Item: _____

Quantity: _____

Project: _____

Delux Series

Models: RDHP-12-2 RDHP-24-4 RDHP-36-6 RDHP-48-8



RDHP-36-6

Gas Type: Natural LP

Elevation (if above 2000 ft.): _____

Standard Features

- Fully welded frame with lifetime warranty
- 11" high, Low Profile
- Full width, removable stainless steel crumb pan for easy cleaning
- Stainless steel sides, front valve cover and ledge for easy cleaning
- Double wall panels for cooler sides
- Cast iron burners rated at 30,000 BTU/hr each featuring removable, non-clog lift off heads with flat top design
- Heavy cast iron 12" x 12" top grates with unique bowl design
- Protected standing pilots for instant ignition
- Manual control for each burner
- Stainless steel tubing for pilots
- 4" high adjustable heavy duty legs included

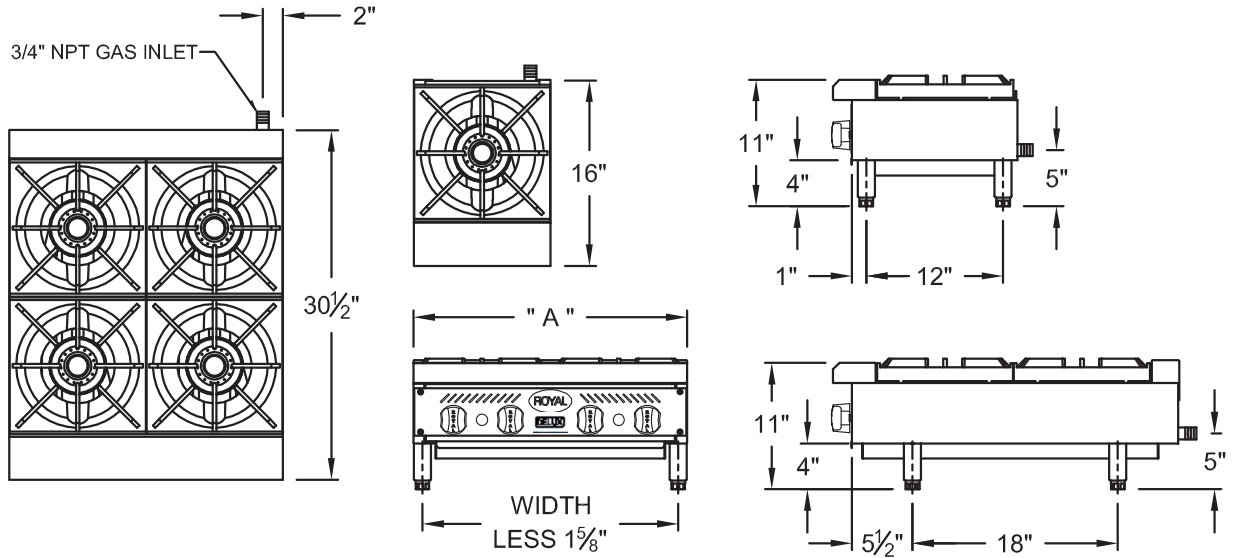
Options and Accessories

- Wok burner with 10" diameter S/S ring
- Add plate shelf with or without cutouts
- Stainless Steel Equipment Stand
 - Knock Down All Welded
- Size**
 - 12" 24" 36" 48" 60" 72"
 - 5" swivel casters (set of four - 2 locking)
 - 5" swivel casters (set of six - 3 locking) (60" and 72" models)



2 YEAR LIMITED, PARTS AND LABOR WARRANTY

Hot Plates



Model Number	Width (A)	Depth	Number of Burners	Total BTU	Ship Weight
RDHP-12-2	12"	30½"	2	30,000	95 lbs.
RDHP-24-4	24"	30½"	4	120,000	155 lbs.
RDHP-36-6	36"	30½"	6	180,000	215 lbs.
RDHP-48-8	48"	30½"	8	240,000	280 lbs.

Notes:

- Each burner is rated at 30,000 BTU/hr

Gas Connection:

3/4" NPT on the right hand rear of the appliance.

The pressure regulator (supplied) is to be connected by the installer.

Specify type of gas and altitude, if over 2,000 feet, when ordering.

Gas Pressure:

5" W.C.	Natural Gas
10" W.C.	Propane

Clearances:

	Combustible	Non-Combustible
Rear	4"	0"
Sides	15"	0"

Due to continuing product development to ensure best possible performance, these specifications are subject to change without prior notification.

Royal Range of California, Inc.
 3245 Corridor Dr. • Eastvale, CA 91752 • (800) 769-2414 • (951) 360-1600
 Fax: (951) 360-7500 • www.royalranges.com • sales@royalranges.com