



Item: \_\_\_\_\_

Quantity: \_\_\_\_\_

Project: \_\_\_\_\_

**Electric Thermostatic Griddle**

# Electric Thermostatic Griddle

Models:  RTGE-12  RTGE-24  RTGE-36  RTGE-48  RTGE-60  RTGE-72

Voltage:  208V  240V  
Phase:  1 Phase  3 Phase



RTGE-36

## Standard Features

- 11" high, Low Profile
- Compact heavy gauge chassis for long life
- Stainless steel sides, control panel and ledge for easy cleaning
- Double wall panels for cooler sides
- Independent heating elements every 12", 3.4 KW each
- Energy saving thermostatic controls every 12" (200°-500°F)
- 4" wide S/S grease trough with large drain opening for easy cleaning
- Large 1 1/2 gallon capacity S/S grease can
- 3/4" thick polished steel griddle plate
- 4" high adjustable heavy duty legs included

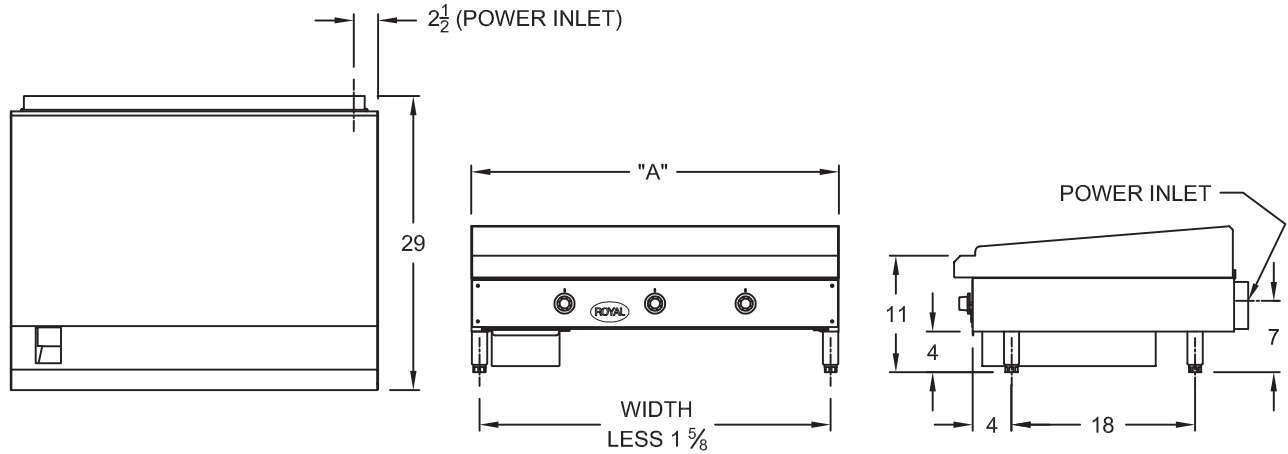
## Options and Accessories

- Grooved griddle (specify width: \_\_\_\_\_")
- Chrome griddle plate
- Stainless Steel Equipment Stand
  - Knock Down  All Welded
- Size
- 12"  24"  30"  36"  48"  60"  72"
- 5" swivel casters (set of four - 2 locking)
- 5" swivel casters (set of six - 3 locking) (60" and 72" stands)



**2 YEAR LIMITED, PARTS AND LABOR WARRANTY**

# Electric Thermostatic Griddle



Model Number	Width (A)	Total KW	Voltage	A M P S				
				1 Phase		3 Phase		
				L1	L3	L1	L2	L3
RTGE-12	12"	3.4	208	17	17			
			240	15	15			
RTGE-24	24"	6.8	208	33	33	16	27	16
			240	29	29	25	25	25
RTGE-36	36"	10.2	208	50	50	29	29	29
			240	43	43	26	26	26
RTGE-48	48"	13.6	208	66	66	39	39	39
			240	57	57	36	36	36
RTGE-60	60"	17	208	82	82	48	52	48
			240	72	72	41	46	41
RTGE-72	72"	20.4	208	100	100	60	60	60
			240	86	86	52	52	52

**RTGE-72, Electric unit have two electrical connections for 208 1 ph.**

**To be installed only in noncombustible surroundings. See installation instructions.**

Due to continuing product development to ensure best possible performance, these specifications are subject to change without prior notification.

**Royal Range of California, Inc.**  
 3245 Corridor Dr. • Eastvale, CA 91752 • (800) 769-2414 • (951) 360-1600  
 Fax: (951) 360-7500 • www.royalranges.com • sales@royalranges.com