



Item: \_\_\_\_\_

Quantity: \_\_\_\_\_

Project: \_\_\_\_\_

30" Deep Snap Action Griddle

# 30" Deep Snap Action Griddle

Models:  RSACD-24  RSACD-36  RSACD-48  RSACD-60  RSACD-72



RSACD-36

Gas Type:  Natural  LP

Elevation (if above 2000 ft.): \_\_\_\_\_

## Standard Features

- 30" deep cooking surface
- Safety pilot with electronic ignition
- Large 1½ gallon capacity stainless steel grease can
- Compact heavy gauge chassis for long life
- Stainless steel sides and front valve cover
- Double wall panels for cooler sides
- Heavy duty Stainless Steel "U" shaped burner every 12" rated at 30,000 BTU/hr each
- Solid state control with sensor embedded in the plate
- Aeration panels between the burners for added efficiency
- 1" thick griddle plate with polished cooking surface
- 4" wide S/S grease trough with large drain opening for easy cleaning
- Stainless steel tubing for burners and pilots
- 4" high adjustable heavy duty legs included

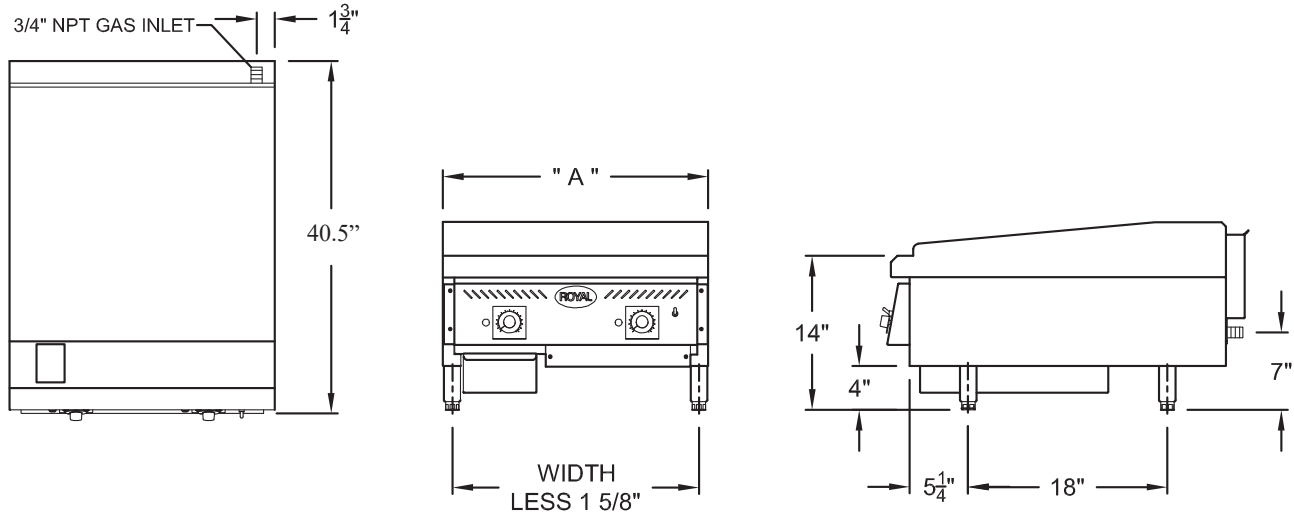
## Options and Accessories

- Grooved griddle (specify width: \_\_\_\_\_")
- Chrome griddle plate
- Stainless Steel Equipment Stand
  - Knock Down  All Welded
- Size
  - 24"  36"  48"  60"  72"
  - 5" swivel casters (set of four - 2 locking)
  - 5" swivel casters (set of six - 3 locking) (60" and 72" models)



**2 YEAR LIMITED, PARTS AND LABOR WARRANTY**

# 30" Deep Snap Action Griddle



Model Number	Width (A)	Number of Thermostats	Number of Burners	Total BTU	Ship Weight
RSACD-24	24"	2	2	60,000	260 lbs.
RSACD-36	36"	3	3	90,000	390 lbs.
RSACD-48	48"	4	4	120,000	520 lbs.
RSACD-60	60"	5	5	150,000	650 lbs.
RSACD-72	72"	6	6	180,000	785 lbs.

**Notes:**



**Gas Connection:**

3/4" NPT on the right hand rear of the appliance.

The pressure regulator (supplied) is to be connected by the installer.

Specify type of gas and altitude, if over 2,000 feet, when ordering.

**Electrical:** 120V, 60Hz, 1 phase, 1 amp

Provided with 6' power cord fitted with standard 3 prong grounded plug

**Gas Pressure:**

5" W.C.	Natural Gas
10" W.C.	Propane

**Clearances:**

	Combustible	Non-Combustible
Rear	6"	0"
Sides	4"	0"

Due to continuing product development to ensure best possible performance, these specifications are subject to change without prior notification.

**Royal Range of California, Inc.**

3245 Corridor Dr. • Eastvale, CA 91752 • (800) 769-2414 • (951) 360-1600

Fax: (951) 360-7500 • www.royalranges.com • sales@royalranges.com