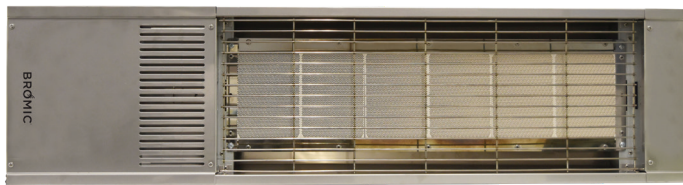




BROMIC[®]
HEATING

COBALT

GAS HEATER



Compact heating solution...

The Cobalt Outdoor Gas Heater represents excellent value as it embodies the key characteristics of Bromic heaters range at an unbeatable price. This gas heater produces outright heating power comparable to market-leading brands, delivered in a concentrated area, providing an outstanding economical solution.



FEATURES

Ceramic Efficiency

Slow-release ceramic burners efficiently combust gas to fuel the most environmentally friendly gas-fired heating method available.

Unrivaled Coverage

Projects comfort evenly across a wide range while reaching deeply into open areas.

Direct Ignition

Automated direct ignition eliminates the need for a pilot, resulting in instantaneous ignition.

Sturdy Construction

Durable stainless steel structures house components of the highest quality, fueling reliable performance.

Ease Of Use

Smart system compatibility and automated re-ignition allows users to simply set and forget.

Wall & Ceiling Mounting

Reclaim valuable floor space through versatile Mounting. This Cobalt is able to be mounted on both walls and ceilings with heater angled to direct heat as required. Additionally it is also able to be mounted face down on the ceiling directly over the area to be heated.

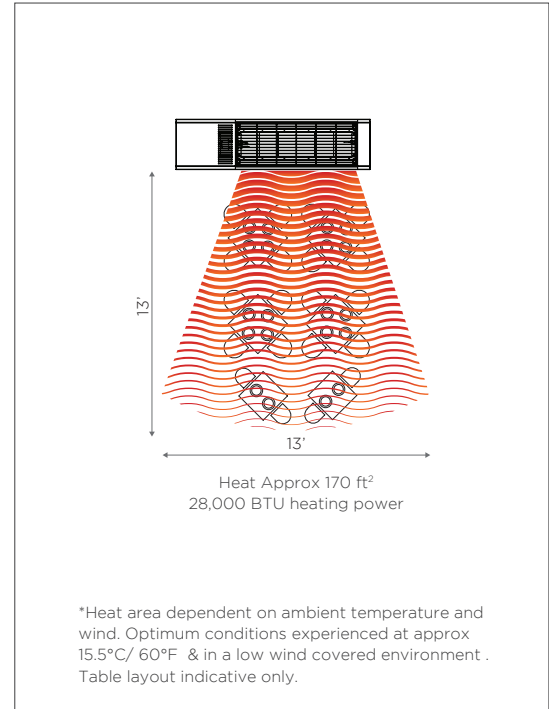
Directional Control

Easy pivot bracket offers adjustable heat direction and coverage.

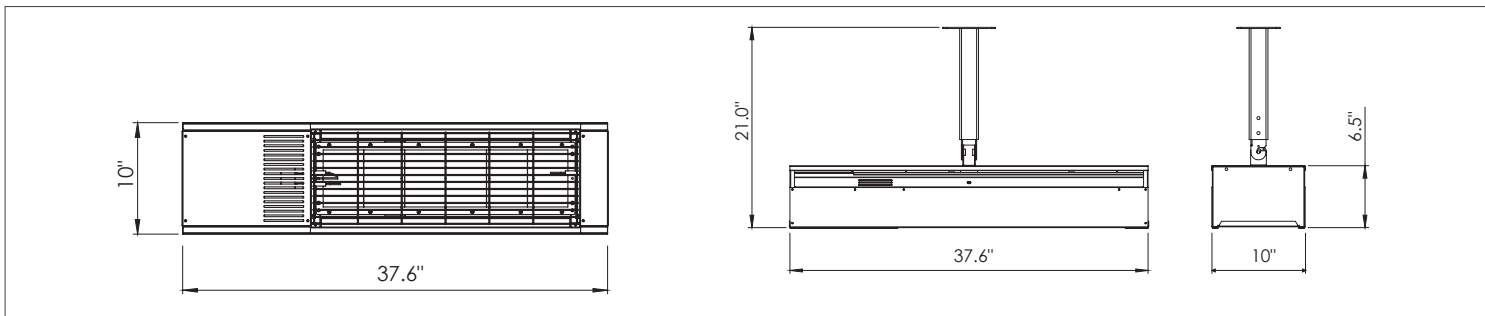
Wireless Control Capabilities

Can be used with Bromic on/off controls.

HEAT AREA



DIMENSIONS

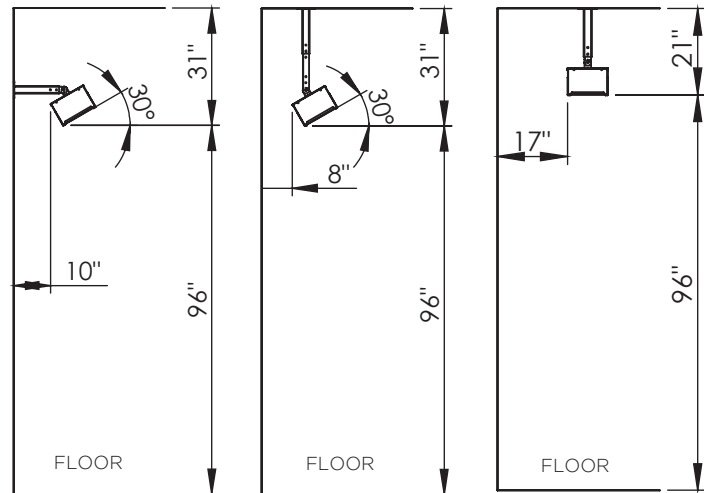


SPECIFICATIONS

Part no.	Gas type	Propane (LPG)	NG
	Product No.	BH0710002	BH0710001
Heat Output (on LPG and NG)		22,100 BTU	28,000 BTU
Approximate area heated (feet ²)		170 ft ²	
Gas connection		1/2" NPT Female	
Electrical connection		110 Volt, 3-pin insulated plug	
Dimension (W x D x H)		37.6" x 10" x 6.5"	
Mounting height requirement to ground ³		96"	
Weight (lb)		42 lbs	

¹Must only be installed by a licensed technician. Must complete "Pre-Installation Checklist" before installing
²The temperature will not exceed 65°C/149°F above the ambient temperature at specified distance. Please consult material manufacturer for temperature ratings and suitability. Bromic Heating takes no responsibility for material compliance. ³8' / 2438mm or maybe lower depending on local regulations

MINIMUM INSTALLATION CLEARANCES



USA Head Office
18 Technology Drive,
Suite 121 Irvine, CA 92618

T: 1800 301 1293
W: BROMIC.COM
E: info@bromic.com