

ESL PASTRY CASE



ESL Pastry Case

BUILT TO LAST

Royston pastry cases are an effective way to merchandise your fresh assortment of baked goods. Available in a variety of sizes and styles, these self-serve cases are a great way to attract customers. Adjustable shelves, easy three-sided viewing, convenient lighting and integrated POP holders allow you the flexibility to customize your display for your space. Available with a variety of organizer cabinets for floor models, or case-only displays for existing countertops.

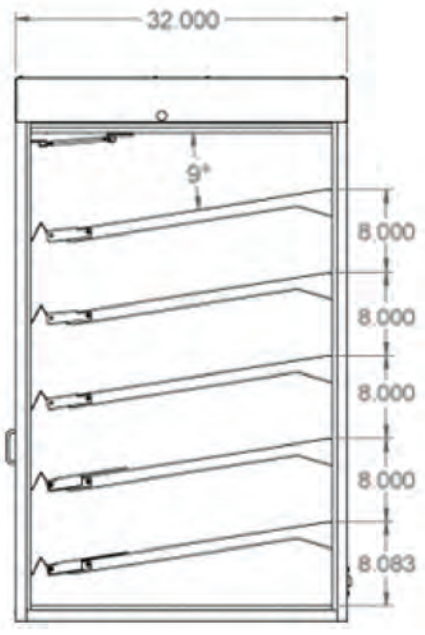
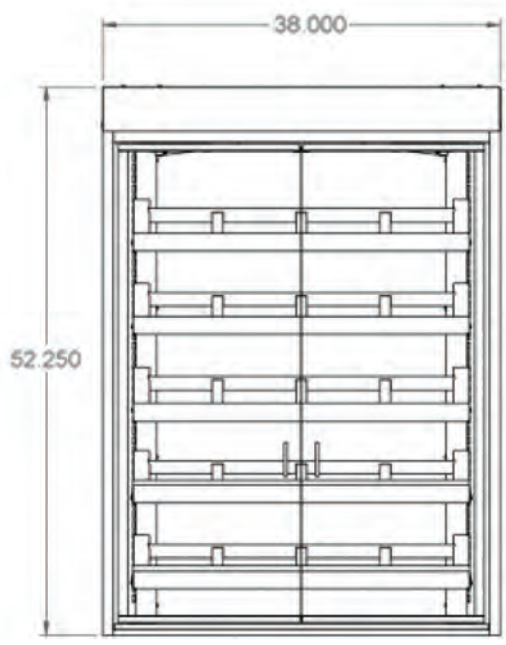
FEATURES

- Anti-slam doors with pneumatic door closers
- Doors stay in open position, for easy access to refill or clean case
- Five adjustable shelves
- Passive top ventilation allows heat dissipation
- Tempered glass doors and sides for safety and maximum visibility
- Accommodates two full-size 18" x 26" bakery display trays per shelf
- Flip-up lower shelf blockers help conserve energy and maintain full appearance
- Master on/off light switch, as well as individual light switches (fluorescent option only)
- Ceiling lighting: 1-21w T-5 shielded fluorescent
- Shelving lighting: 1-14w T-5 shielded fluorescent per shelf
- LED lighting is available as an option
- All electrical components are UL listed, fully wired and ready to use



COLOR OPTIONS

Select from a wide variety of colors and patterns. We configure your order to fit your store image.



ESL Case and Cabinet Base

