



12 CU. FT. MEGA TOP PREP TABLE

KCMT48.18 - 738021



Fin & Tube Condenser improves performance in high temperature environments

Automatic Defrost Cooling System provides worry-free performance

1/3 HP Compressor

Stainless Steel Exterior & Interior Electronic Control

Removable Door Gaskets

Holds 1/6 Pans

Adjustable Shelves Vinyl-Coated Steel

Self-Closing Doors with 90-degree stay-open feature

Heavy Duty Casters

Insulated Lid helps maintain food freshness



TECHNICAL SPECIFICATIONS

MODEL	KCMT48.18
Product Line	Mega Top Prep Table
Capacity (Cu. Ft.)	12.0
Condenser Type	Fin & Tube
Automatic Defrost Cooling System	Yes
Compressor Horsepower	1/3
Exterior Finish	Stainless Steel (430)
Interior Finish	Stainless Steel (304)
Cutting Board Dimensions (HxWxD)	.79x46.69x8
Pan Allocation	(18) 1/6
Shelves (Number/Type)	2/Vinyl-Coated Steel
Control	Electronic
Temperature Range	32 to 50°F
Voltage Rating	115V/60Hz
Run Amps	7.8
Plug Type	NEMA 5-15P
Shipping Weight (Lbs.)	341
Warranty	3 Year/5 Year



Electronic Digital Temperature Control

Quick set digital control and display for easy monitoring.



Stainless Steel Interior

Durable and easy to clean for daily commercial use.



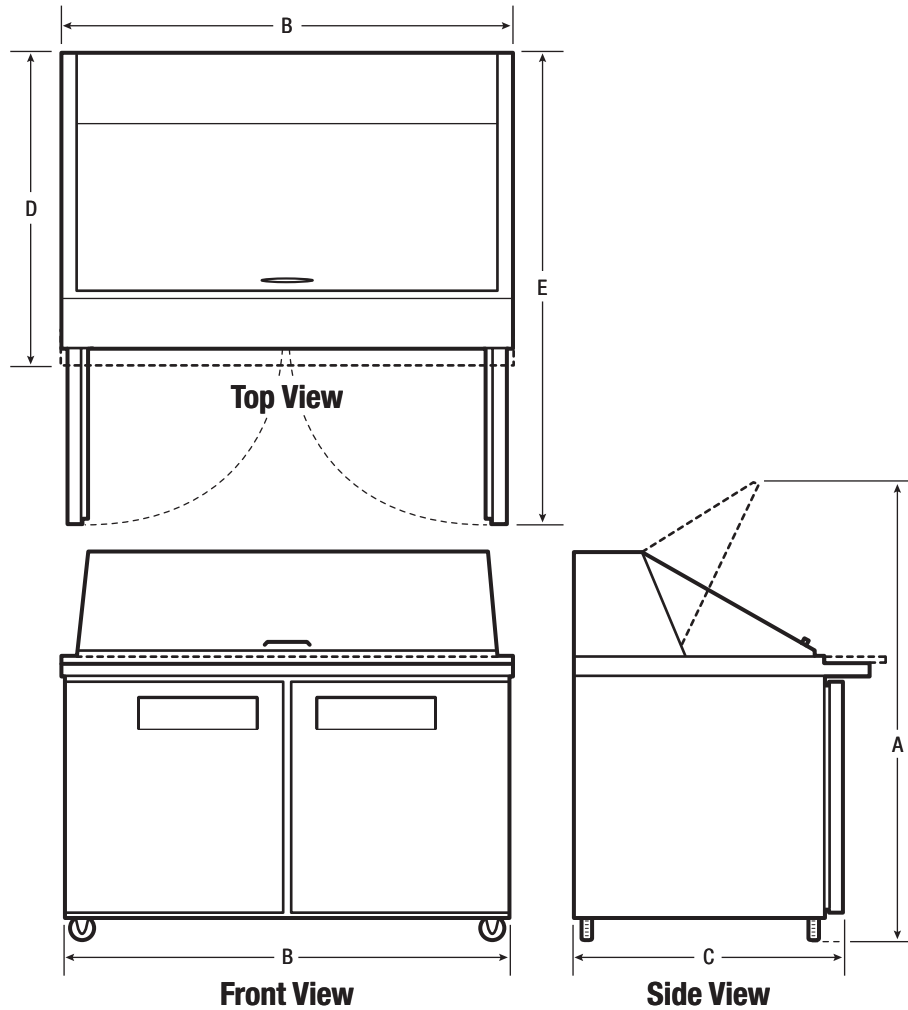
Full-Depth Cutting Boards

Preparation area designed for work station convenience and safe food handling.



12 CU. FT. MEGA TOP PREP TABLE

KCMT48.18



Plug Type (NEMA)
5-15P

EXTERIOR DIMENSIONS

Height with Lid Open (w/ Casters) A	52"
Width B	46-3/4"
Depth (Including Door & Handle) C	29"
Overall Depth (Including Cutting Board) D	35"
Depth (with Door 90° Open) E	51"

CERTIFICATIONS AND APPROVALS

Safety Certification	ETL
Sanitation Certification	ETL

POPULAR PARTS

Shelf	5304493458
Shelf Clip	297121900
Pan Divider	5304493461
Cutting Board	5304493412



USA • 10200 David Taylor Drive • Charlotte, NC 28262 • 1-866-738-1640 • kelvinator.com
CANADA • 5855 Terry Fox Way • Mississauga, ON L5V 3E4

KCMT48.18 11/15

© 2015 Electrolux Home Products, Inc.

High standards of quality at Electrolux Home Products, Inc. mean we are constantly working to improve our products. We reserve the right to change specifications or discontinue models without notice.