

**Digital Cabinets
Undercounter Freezer, 12 cu.
ft, 48" - Stainless Steel**

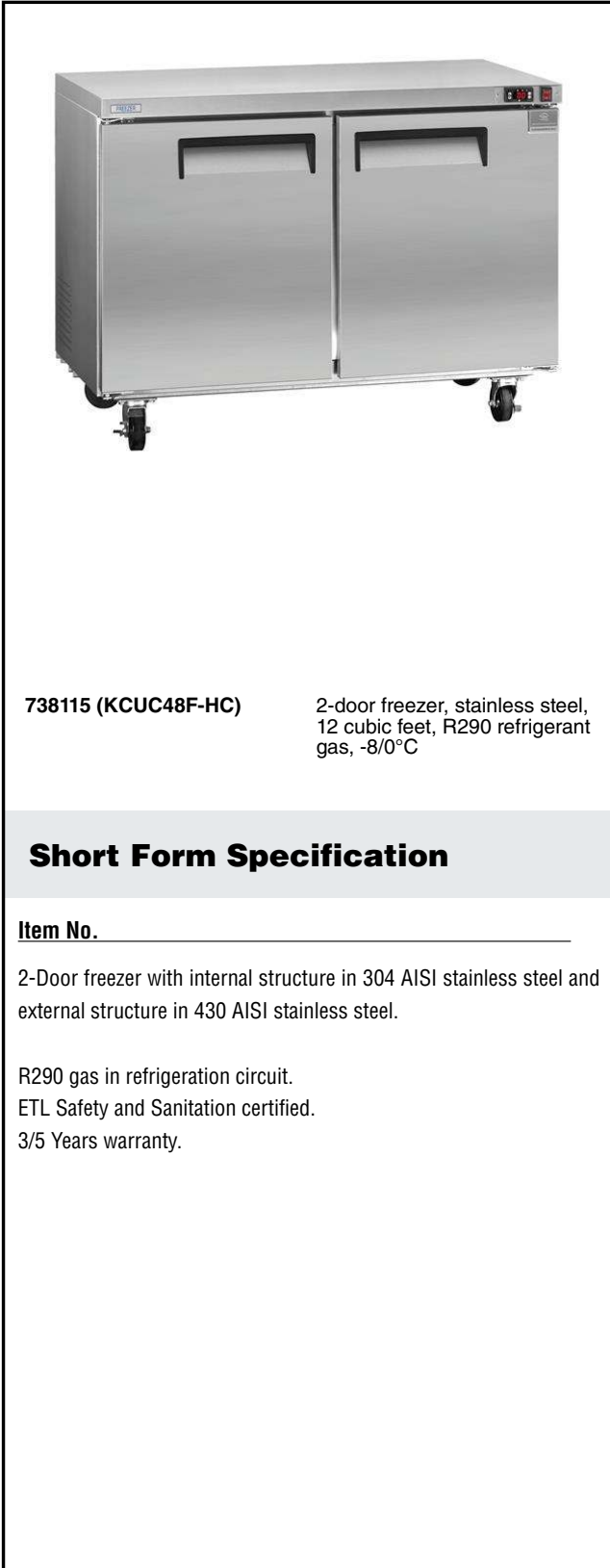
ITEM # _____

MODEL # _____

NAME # _____

SIS # _____

AIA # _____



738115 (KCUC48F-HC)

2-door freezer, stainless steel,
12 cubic feet, R290 refrigerant
gas, -8/0°C

Short Form Specification

Item No. _____

2-Door freezer with internal structure in 304 AISI stainless steel and external structure in 430 AISI stainless steel.

R290 gas in refrigeration circuit.
ETL Safety and Sanitation certified.
3/5 Years warranty.

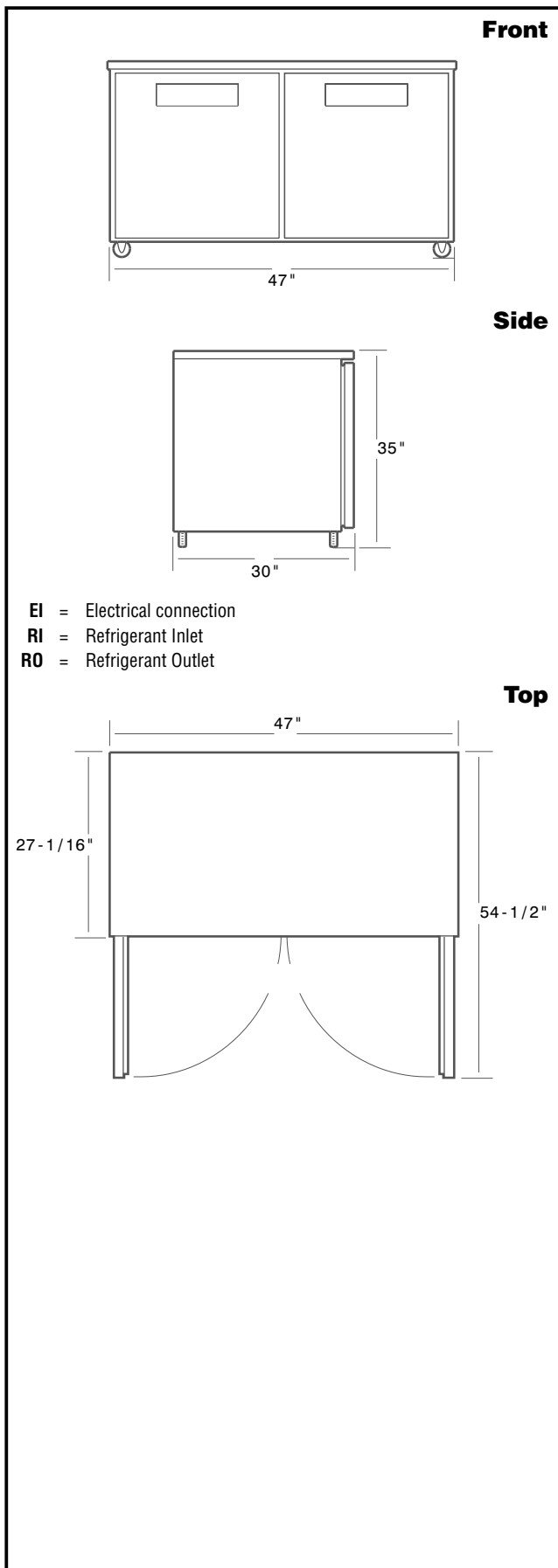
Main Features

- Fin & Tube Condenser improves performance in high temperature environments.
- Automatic Defrost Cooling System provides worry-free performance.
- 1/4 HP Compressor.
- Electronic Digital Temperature Control: quick set digital control and display for easy monitoring.
- External temperature display.
- Vinyl heavy duty adjustable, easy to handle and clean shelves.
- Self-closing door with 90-degree stay-open feature.
- Hydrocarbon refrigerant gas R290 for the lowest environmental impact (GWP=3) - CFC and HCFC free.

Construction

- Durable and easy to clean for daily commercial use thanks to stainless steel exterior & interior.
- Removable door gasket.
- Heavy duty casters.

APPROVAL: _____



Electric

Supply voltage:	115 V/1 ph/60 Hz
738115 (KCUC48F-HC)	
Electrical power, max:	1.005 kW
Plug type:	USA NEMA 5-15P

Key Information:

Capacity (Cu.Ft.)	12.0
Door hinges:	1 Left+1 Right
External dimensions, Width:	47 " (1193.8 mm)
External dimensions, Depth:	30 " (762 mm)
External dimensions, Height:	35 " (889 mm)
Number and type of doors:	2 Full
Number and type of grids (included):	2 - Vynil-Coated Steel
Type of external material:	Stainless Steel
Type of internal material:	304 AISI
Warranty:	3 / 5 years

Refrigeration Data

Compressor Horsepower:	1/4
Refrigerant type:	R290
Operating temperature min.:	-8 °F
Operating temperature max.:	-0 °F
Condenser type:	Fin & tube
Defrost type:	Auto Defrost

