

## Digital Cabinets Undercounter Refrigerator, 6cu.ft, 27" - Stainless Steel

ITEM # \_\_\_\_\_

MODEL # \_\_\_\_\_

NAME # \_\_\_\_\_

SIS # \_\_\_\_\_

AIA # \_\_\_\_\_



738112 (KCUC27R-HC)

1-door refrigerator, stainless steel, 6 cubic feet, R290 refrigerant gas, 33/+41°C

### Short Form Specification

**Item No.** \_\_\_\_\_

1-Door refrigerator with internal structure in 304 AISI stainless steel and external structure in 430 AISI stainless steel.

R290 gas in refrigeration circuit.  
ETL Safety and Sanitation certified.  
3/5 Years warranty.

### Main Features

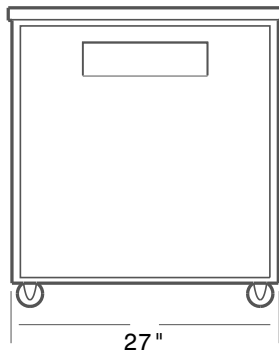
- Fin & Tube Condenser improves performance in high temperature environments.
- Automatic Defrost Cooling System provides worry-free performance.
- 1/6 HP Compressor.
- Electronic Digital Temperature Control: quick set digital control and display for easy monitoring.
- External temperature display.
- Vinyl heavy duty adjustable, easy to handle and clean shelves.
- Self-closing door with 90-degree stay-open feature.
- Hydrocarbon refrigerant gas R290 for the lowest environmental impact (GWP=3) - CFC and HCFC free.

### Construction

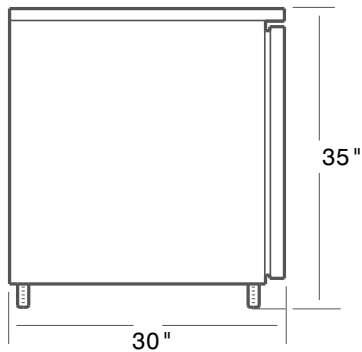
- Durable and easy to clean for daily commercial use thanks to stainless steel exterior & interior.
- Removable door gasket.
- Heavy duty casters.
- Field reversible door (requires purchase of Door Reversing kit).

APPROVAL: \_\_\_\_\_

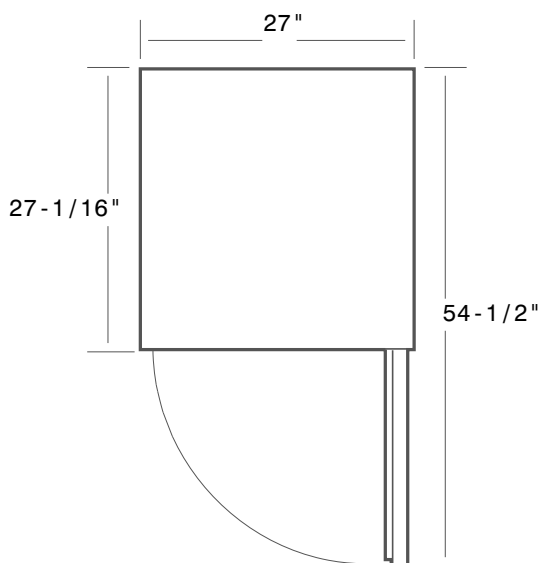
**Front**



**Side**



**Top**



**EI** = Electrical connection  
**RI** = Refrigerant Inlet  
**RO** = Refrigerant Outlet

**Electric**

**Supply voltage:** 738112 (KCUC27R-HC) 115 V/1 ph/60 Hz  
**Electrical power, max:** 0.575 kW  
**Plug type:** USA NEMA 5-15P

**Key Information:**

**Capacity (Cu.Ft.):** 6.0  
**Door hinges:** Right Side  
**External dimensions, Width:** 27 " (685.8 mm)  
**External dimensions, Depth:** 30 " (762 mm)  
**External dimensions, Height:** 35 " (889 mm)  
**Number and type of doors:** 1 Full  
**Number and type of grids (included):** 1 - Vynil-Coated Steel  
**Type of external material:** Stainless Steel  
**Type of internal material:** 304 AISI  
**Warranty:** 3 / 5 years

**Refrigeration Data**

**Compressor Horsepower:** 1/6  
**Refrigerant type:** R290  
**Operating temperature min.:** 33.01 °F  
**Operating temperature max.:** 41 °F  
**Condenser type:** Fin & tube  
**Defrost type:** Auto Defrost