

**Digital Cabinets
Reach-In Refrigerator, 23 cu.ft
- Stainless Steel**

ITEM # _____

MODEL # _____

NAME # _____

SIS # _____

AIA # _____



738100 (KCBM23RSEH)

1-door reach-in digital refrigerator, stainless steel, 23 cubic feet, R290 refrigerant gas, 0/+5°C

Short Form Specification

Item No. _____

Full door refrigerator with internal structure in 304 AISI stainless steel and external structure in 430 AISI stainless steel. Digital control with cabinet temperature display. Self-closing and on-site reversible door feature lock and key.

R290 gas in the refrigeration circuit.
ETL Safety and Sanitation certifications.
3/5 Years warranty.

Main Features

- Fin & Tube Condenser improves performance in high temperature environments.
- Automatic Defrost Cooling System provides worry-free performance.
- 1/6 HP Compressor.
- Electronic Digital Temperature Control: quick set digital control and display for easy monitoring.
- External temperature display.
- Vinyl heavy duty adjustable, easy to handle and clean shelves.
- Self-closing door with 90-degree stay-open feature.
- Lock & Key protects the contents of the unit.
- Hydrocarbon refrigerant gas R290 for the lowest environmental impact (GWP=3) - CFC and HCFC free.

Construction

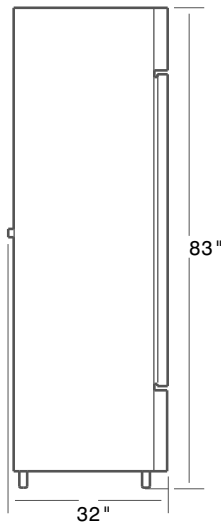
- Durable and easy to clean for daily commercial use thanks to stainless steel exterior & interior.
- Removable door gasket.
- Heavy duty casters.
- Field reversible door (Requires purchase of Door Reversing Kit).

APPROVAL: _____

Front

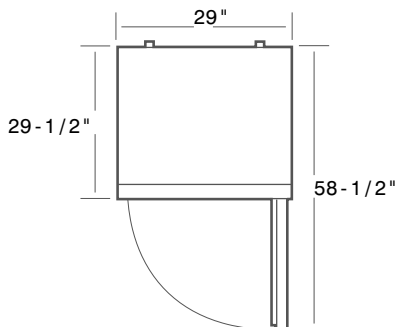


Side



EI = Electrical connection
RI = Refrigerant Inlet
RO = Refrigerant Outlet

Top



Electric

Supply voltage:	115 V/1 ph/60 Hz
738100 (KCBM23RSEH)	
Electrical power, max:	0.85 kW
Plug type:	USA NEMA 5-15P

Key Information:

Capacity (Cu.Ft.)	23.0
Door hinges:	Right Side
External dimensions, Width:	29 " (736.6 mm)
External dimensions, Depth:	32 " (812.8 mm)
External dimensions, Height:	83 " (2108.2 mm)
Number and type of doors:	1 Full
Number and type of grids (included):	3 - Vinyl-Coated steel
Type of external material:	430 AISI
Type of internal material:	304 AISI
Warranty:	3 / 5 years

Refrigeration Data

Compressor Horsepower:	1/6
Refrigerant type:	R290
Operating temperature min.:	33.01 °F
Operating temperature max.:	41 °F
Condenser type:	Fin & tube
Defrost type:	Auto Defrost