

**Digital Cabinets
Mega Top Table, 12 cu.ft, 48" -
Stainless Steel**

ITEM # _____

MODEL # _____

NAME # _____

SIS # _____

AIA # _____



738071 (KCMT48.18-HC)

Mega Top Table, 12 cu.ft,
48", +33/+41°F, stainless steel

Short Form Specification

Item No. _____

Constructed entirely in stainless steel. Built-in refrigeration unit and an insulated lid to maintain food freshness. Fin & Tube Condenser improves performance in high-temperature environments. Automatic Defrost Cooling System to provide worry-free performances. Full-depth cutting board of 79x46.69x8 in. Digital control panel, Vinyl-Coated Steel adjustable shelves, removable door gaskets and self-closing doors with 90-degree stay-open feature. Temperature range: +33/+41°F.

Main Features

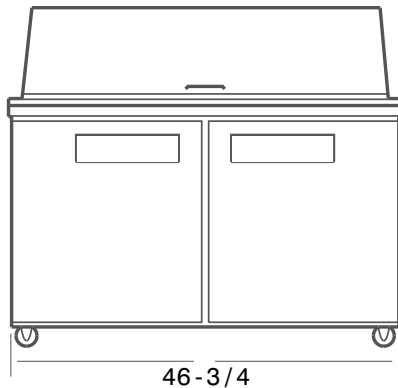
- Fin & Tube Condenser improves performance in high temperature environments.
- Automatic Defrost Cooling System provides worry-free performance.
- 1/4 HP Compressor.
- Vinyl-Coated Steel adjustable dividers to customize bottle storage effortlessly.
- Hydrocarbon refrigerant gas R290 for the lowest environmental impact (GWP=3) - CFC and HCFC free.

Construction

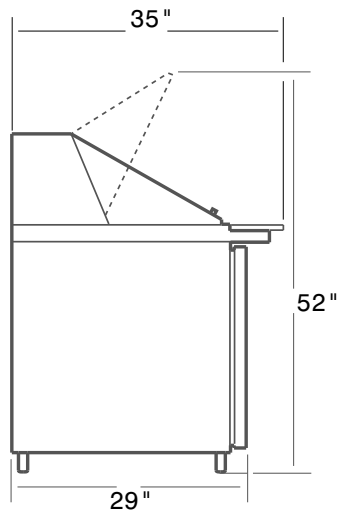
- Stainless steel exterior and interior, durable and easy to clean for daily commercial use.
- External Electronic Digital Temperature Control for easy setting and monitoring.
- Removable door gaskets.
- Holds (18) 1/6 pans.
- Self-closing door with 90-degree stay-open feature.
- Heavy duty casters.
- Insulated lid maintains food freshness.
- Preparation area designed for work station convenience and self food handling, also thanks to the full-depth cutting board.

APPROVAL: _____

Front

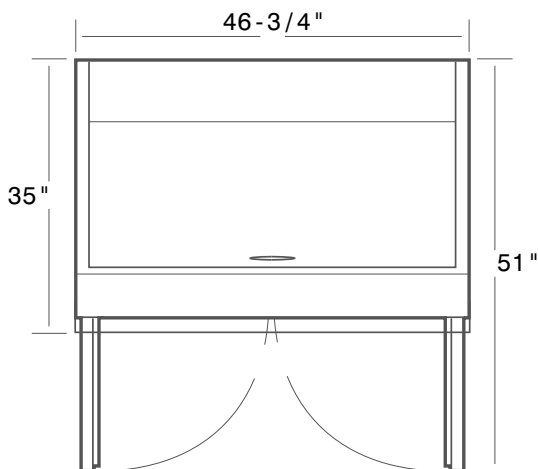


Side



EI = Electrical connection
RI = Refrigerant Inlet
RO = Refrigerant Outlet

Top



Electric

Supply voltage:	
738071 (KCMT48.18-HC)	115 V/1 ph/60 Hz
Electrical power, max:	0.897 kW
Plug type:	USA NEMA 5-15P

Key Information:

Gross capacity:	402 lt
Door hinges:	1 Left+1 Right
External dimensions, Width:	46 3/4" (1187.45 mm)
External dimensions, Depth:	35 " (889 mm)
External dimensions, Height:	45 15/16" (1166 mm)
Number and type of doors:	2 Full
Number and type of grids (included):	2 - Vinyl-Coated Steel
Type of external material:	Stainless Steel
Type of internal material:	304 AISI
Warranty:	3 / 5 years

Refrigeration Data

Compressor power:	1/4 hp
Refrigerant type:	R290
Operating temperature min.:	33.01 °F
Operating temperature max.:	41 °F
Condenser type:	Fin & tube
Defrost type:	Auto Defrost