

**Digital Cabinets  
Mega Top Table, 6 cu.ft, 27" -  
Stainless Steel**

ITEM # \_\_\_\_\_  
MODEL # \_\_\_\_\_  
NAME # \_\_\_\_\_  
SIS # \_\_\_\_\_  
AIA # \_\_\_\_\_



**738070 (KCMT27.12-HC)** Mega Top Table, 6 cu. ft, +33/+41°F, stainless steel

**Short Form Specification**

**Item No.** \_\_\_\_\_

Constructed entirely in stainless steel. Built-in refrigeration unit and an insulated lid to maintain food freshness. Fin & Tube Condenser improves performance in high-temperature environments. Automatic Defrost Cooling System to provide worry-free performances. Full-depth cutting board of 79x27.40x6.97 in. Digital control panel, Vinyl-Coated Steel adjustable shelves, removable door gaskets and self-closing doors with 90-degree stay-open feature. Temperature range: +33/+41°F.

R290 gas in the refrigeration circuit.  
ETL Safety and Sanitation certifications.  
3/5 Years warranty.

**Main Features**

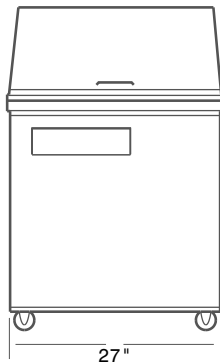
- Fin & Tube Condenser improves performance in high temperature environments.
- Automatic Defrost Cooling System provides worry-free performance.
- 1/5 HP Compressor.
- Vinyl-Coated Steel adjustable dividers to customize bottle storage effortlessly.
- Hydrocarbon refrigerant gas R290 for the lowest environmental impact (GWP=3) - CFC and HCFC free.

**Construction**

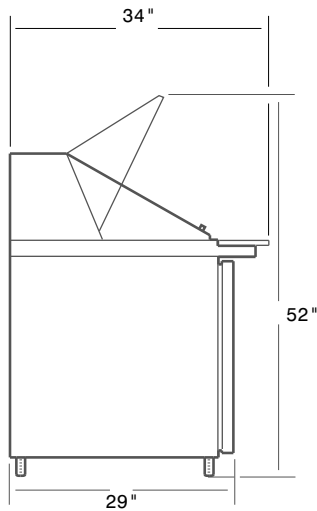
- Stainless steel exterior and interior, durable and easy to clean for daily commercial use.
- External Electronic Digital Temperature Control for easy setting and monitoring.
- Removable door gaskets.
- Holds (9) 1/6 & (3) 1/9 pans.
- Self-closing door with 90-degree stay-open feature.
- Heavy duty casters.
- Insulated lid maintains food freshness.
- Preparation area designed for work station convenience and self food handling, also thanks to the full-depth cutting board.

**APPROVAL:** \_\_\_\_\_

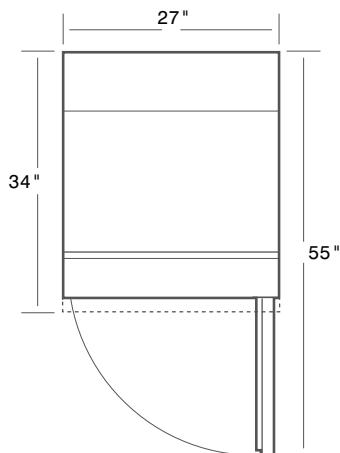
**Front**



**Side**



**Top**



**EI** = Electrical connection  
**RI** = Refrigerant Inlet  
**RO** = Refrigerant Outlet

## Electric

Supply voltage:	738070 (KCMT27.12-HC)	115 V/1 ph/60 Hz
Electrical power, max:		0.609 kW
Plug type:		USA NEMA 5-15P

## Key Information:

Gross capacity:	227 lt
Door hinges:	Right Side
External dimensions, Width:	27 " (685.8 mm)
External dimensions, Depth:	34 " (863.6 mm)
External dimensions, Height:	45 15/16" (1166 mm)
Number and type of doors:	1 Full
Number and type of grids (included):	1 - Vinyl-Coated Steel
Type of external material:	Stainless Steel
Type of internal material:	304 AISI
Warranty:	3 / 5 years

## Refrigeration Data

Compressor power:	1/5 hp
Refrigerant type:	R290
Operating temperature min.:	33.01 °F
Operating temperature max.:	41 °F
Condenser type:	Fin & tube
Defrost type:	Auto Defrost