

**Digital Cabinets  
Sandwich/Salad Preparation Table,  
12cu.ft, 61"- Stainless Steel**

ITEM # \_\_\_\_\_

MODEL # \_\_\_\_\_

NAME # \_\_\_\_\_

SIS # \_\_\_\_\_

AIA # \_\_\_\_\_



738068 (KCST60.16-HC)

Sandwich/salad preparation table, 12 cu.ft, 61", +33/+41°F, stainless steel

**Short Form Specification**

Item No. \_\_\_\_\_

Constructed entirely in stainless steel. Built-in refrigeration unit and an insulated lid to maintain food freshness. Fin & Tube Condenser improves performance in high-temperature environments. Automatic Defrost Cooling System to provide worry-free performances.

Full-depth cutting board of 79x60x11.5 in.

Digital control panel, Vinyl-Coated Steel adjustable shelves, removable door gaskets and self-closing doors with 90-degree stay-open feature.

Temperature range: +33/+41°F.

R290 gas in the refrigeration circuit.

ETL Safety and Sanitation certifications.

3/5 Years warranty.

**Main Features**

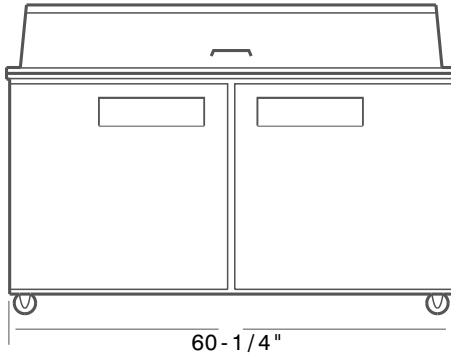
- Fin & Tube Condenser improves performance in high temperature environments.
- Automatic Defrost Cooling System provides worry-free performance.
- 1/4 HP Compressor.
- Vinyl-Coated Steel adjustable dividers to customize bottle storage effortlessly.
- Hydrocarbon refrigerant gas R290 for the lowest environmental impact (GWP=3) - CFC and HCFC free.

**Construction**

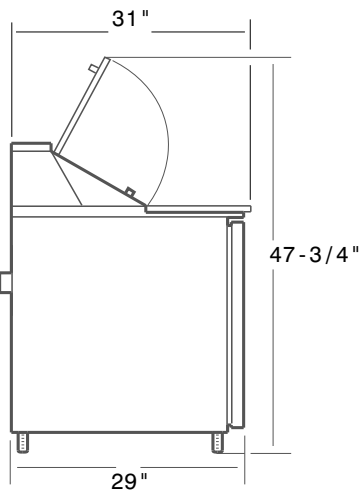
- Stainless steel exterior and interior, durable and easy to clean for daily commercial use.
- External Electronic Digital Temperature Control for easy setting and monitoring.
- Removable door gaskets.
- Holds (16) 1/6 pans.
- Self-closing door with 90-degree stay-open feature.
- Heavy duty casters.
- Insulated lid maintains food freshness.
- Preparation area designed for work station convenience and self food handling, also thanks to the full-depth cutting board.

APPROVAL: \_\_\_\_\_

**Front**

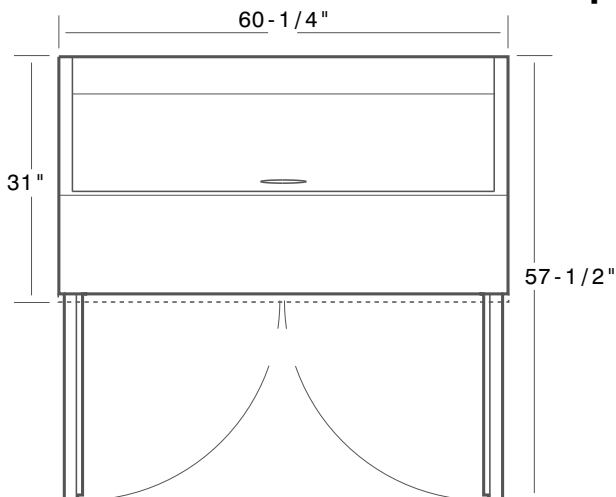


**Side**



EI = Electrical connection  
RI = Refrigerant Inlet  
RO = Refrigerant Outlet

**Top**



**Electric**

<b>Supply voltage:</b>	738068 (KCST60.16-HC)	115 V/1 ph/60 Hz
<b>Electrical power, max:</b>		0.609 kW
<b>Plug type:</b>		USA NEMA 5-15P

**Key Information:**

<b>Gross capacity:</b>	522 lt
<b>Door hinges:</b>	1 Left+1 Right
<b>External dimensions, Width:</b>	60 1/4" (1530.35 mm)
<b>External dimensions, Depth:</b>	31 " (787.4 mm)
<b>External dimensions, Height:</b>	42 5/16" (1075 mm)
<b>Number and type of doors:</b>	2 Full
<b>Number and type of grids (included):</b>	2 -
<b>Type of external material:</b>	Stainless Steel
<b>Type of internal material:</b>	304 AISI
<b>Warranty:</b>	3 / 5 years

**Refrigeration Data**

<b>Compressor power:</b>	1/4 hp
<b>Refrigerant type:</b>	R290
<b>Operating temperature min.:</b>	33.01 °F
<b>Operating temperature max.:</b>	41 °F
<b>Condenser type:</b>	Fin & tube
<b>Defrost type:</b>	Auto Defrost

