

**Digital Cabinets  
Pizza Preparation Table, 9 CU.  
FT - Stainless Steel**

ITEM # \_\_\_\_\_

MODEL # \_\_\_\_\_

NAME # \_\_\_\_\_

SIS # \_\_\_\_\_

AIA # \_\_\_\_\_



738063 (KCPT50.6-HC)

1-door pizza preparation table,  
9 cu.ft, +33/+41°F, stainless  
steel

**Short Form Specification**

Item No. \_\_\_\_\_

Constructed entirely in stainless steel. Built-in refrigeration unit and an insulated lid to maintain food freshness. Fin & Tube Condenser improves performance in high-temperature environments.

Full-depth cutting board of 79x50x19.5 in.

Digital control panel, Vinyl-Coated Steel adjustable shelves, removable door gaskets and self-closing door with 90-degree stay-open feature.

Temperature range: +33/+41°F.

R290 gas in the refrigeration circuit.

ETL Safety and Sanitation certifications.

3/5 Years warranty.

**Main Features**

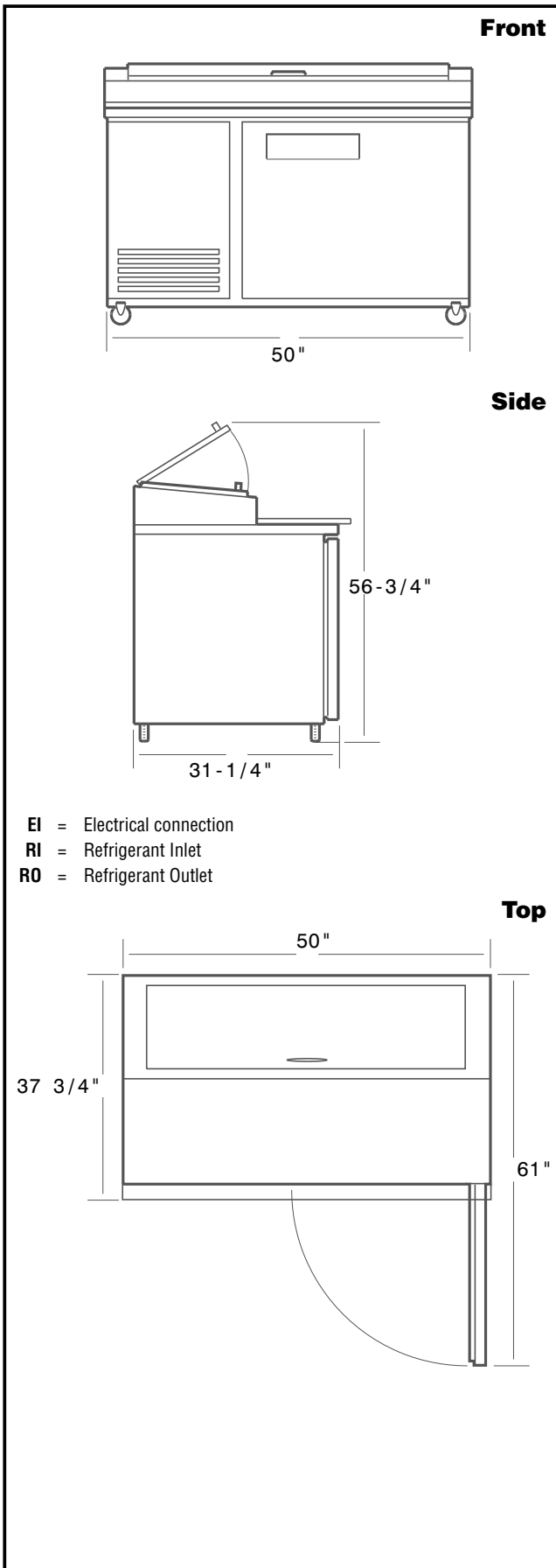
- Fin & Tube Condenser improves performance in high temperature environments.
- 1/6 HP Compressor.
- Vinyl-Coated Steel adjustable.
- Hydrocarbon refrigerant gas R290 for the lowest environmental impact (GWP=3) - CFC and HCFC free.

**Construction**

- Stainless steel exterior and interior, durable and easy to clean for daily commercial use.
- External Electronic Digital Temperature Control for easy setting and monitoring.
- Removable door gaskets.
- Holds 6 1/3 pans.
- Self-closing door with 90-degree stay-open feature.
- Heavy duty casters.
- Insulated lid maintains food freshness.
- Preparation area designed for work station convenience and self food handling, also thanks to the full-depth cutting board.

APPROVAL: \_\_\_\_\_

**Pizza Preparation Table, 9 CU.FT - Stainless Steel**  
**Digital Cabinets**



### Electric

|                        |                      |                  |
|------------------------|----------------------|------------------|
| Supply voltage:        | 738063 (KCPT50.6-HC) | 115 V/1 ph/60 Hz |
| Electrical power, max: |                      | 1.127 kW         |
| Plug type:             |                      | NEMA 5-15        |

### Key Information:

|                                      |                     |
|--------------------------------------|---------------------|
| Gross capacity:                      | 471 lt              |
| Capacity (Cu.Ft.)                    | 9.0                 |
| Door hinges:                         | Left                |
| External dimensions, Width:          | 50 " (1270 mm)      |
| External dimensions, Depth:          | 37 3/4" (958.85 mm) |
| External dimensions, Height:         | 42 13/16" (1088 mm) |
| Number and type of doors:            | 1 Full              |
| Number and type of grids (included): | 1 -                 |
| Type of external material:           | Stainless Steel     |
| Type of internal material:           | 304 AISI            |
| Warranty:                            | 3 / 5 years         |

### Refrigeration Data

|                             |              |
|-----------------------------|--------------|
| Compressor power:           | 1/6 hp       |
| Refrigerant type:           | R290         |
| Operating temperature min.: | 33.01 °F     |
| Operating temperature max.: | 41 °F        |
| Condenser type:             | Fin & tube   |
| Defrost type:               | Auto Defrost |