



Job \_\_\_\_\_  
Item \_\_\_\_\_

## ISE Advantage

Ice Storage, Dispensing & Transportation Equipment

# Marine Bins



### Model Number

MB223438

MB303444

## FEATURES

- Large openings for scoop dispensing
- Full stainless steel—front, back, bottom, and sides
- Fully welded stainless steel liner (coved corners)
- Stainless steel baffle prevents ice overflow
- Adjustable flanged feet
- Factory installed 1" IPS plastic drain
- Spring loaded door hinge
- FOB origin on all freight unless pre-approved



## OPTIONS

- Private labeling
- Custom modifications

## APPLICATIONS

- Industrial
- Military
- Cruise ship
- Marina

Toll Free Phone: 1-800-346-3246

Local Phone: (303) 761-1615

Fax: (303) 789-1741

E-mail: [sales@kloppenberg.com](mailto:sales@kloppenberg.com)

[www.kloppenberg.com](http://www.kloppenberg.com)

10/17/2019

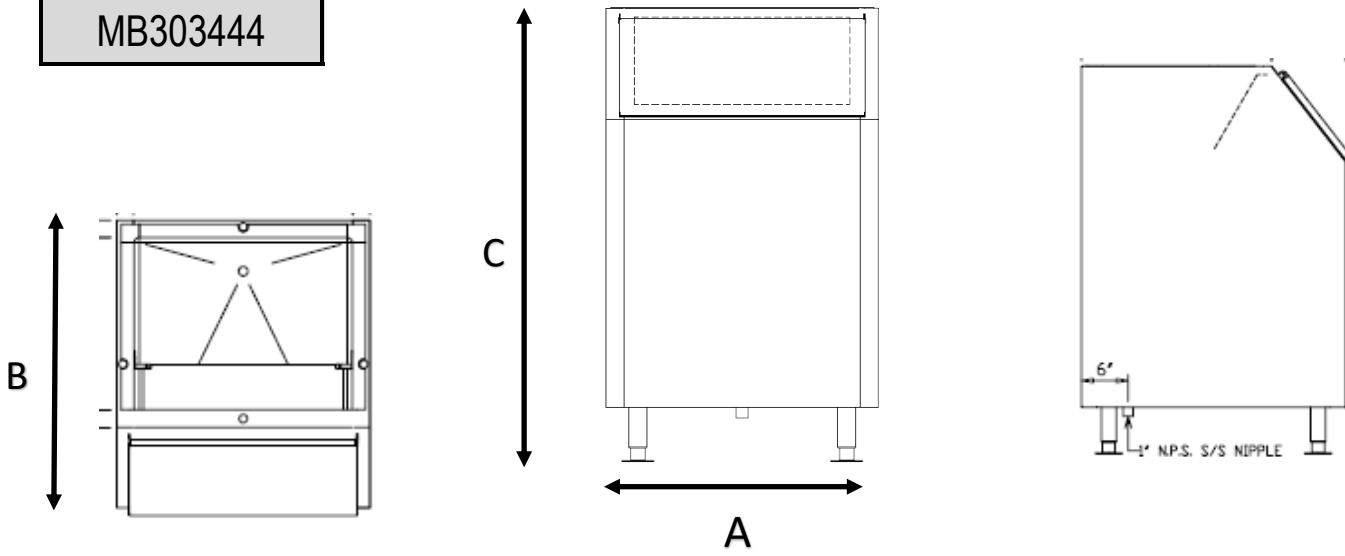
Printed in U.S.A.

**Model Number**

MB223438

MB303444

# Marine Bins



TOP VIEW

FRONT VIEW

SIDE VIEW

Contact factory for details on CAD Symbols Library availability on this product

Model Number	Capacity lbs (kg)	A-Width in (mm)	B-Depth* in (mm)	C-Height in (mm)	Minimum Door Clearance in (mm)	Ship Weight lbs (kg)
MB223438	295 (134)	22 (559)	35.5 (902)	38 (965)	22 (559)	200 (91)
MB303444	488 (222)	30 (762)	35.5 (902)	44 (1,118)	30 (762)	265 (120)

\*Includes 1.5" depth for slope front

**OPTIONS:**

- Prison package
- Bullet feet

**AVAILABLE ACCESSORIES:**

- Scoops
- Carts
- Totes

Toll Free Phone: 1-800-346-3246 Local Phone: 303-761-1615 Fax: 303-789-1741

Email: [sales@kloppenberg.com](mailto:sales@kloppenberg.com)

Please send all PO's to [purchaseorders@kloppenberg.com](mailto:purchaseorders@kloppenberg.com)