



Quality is the Best Buy

ISE Advantage

Ice Storage, Dispensing & Transportation Equipment

Job _____
Item _____

K-825

Model Number
K825



FEATURES

- Large openings for scoop dispensing
- Seamless polyethylene liner with coved corners
- 1 1/2" foamed in-place polyurethane insulation
- Stainless steel baffle prevents ice overflow
- Adjustable feet
- Factory installed 1" IPS plastic drain
- Spring loaded door hinge
- FOB origin on all freight unless pre-approved

OPTIONS

- Private labeling
- Custom modifications

APPLICATIONS

- Commercial
- Restaurants
- Facility with limited equipment space
- Specialty beverage stores



Toll Free Phone: 1-800-346-3246

Local Phone: (303) 761-1615

Fax: (303) 789-1741

E-mail: sales@kloppenberg.com

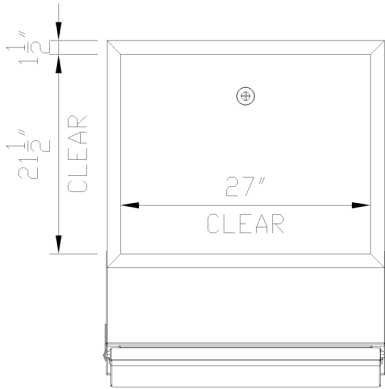
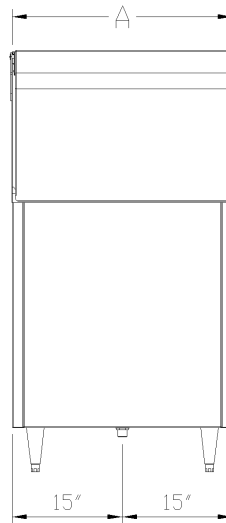
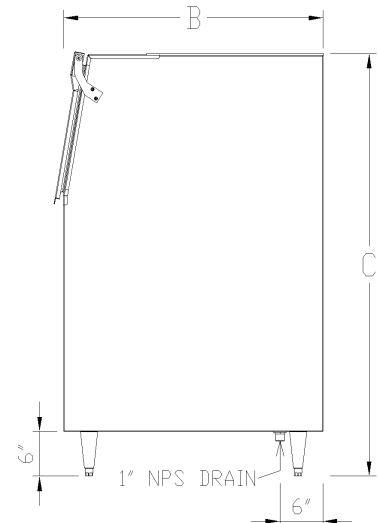
www.kloppenberg.com

6/24/2020

Printed in U.S.A.

Model Number

K825

K-825**TOP VIEW****FRONT VIEW****SIDE VIEW**

Contact factory for details on CAD Symbols Library availability on this product

Model Number	Capacity lbs (kg)	A-Width in (mm)	B-Depth* in (mm)	C-Height in (mm)	Minimum Door Clearance in (mm)	Ship Weight lbs (kg)
K825	825 (375)	30 (762)	37.5 (953)	57 (1,448)	30 (762)	300 (136)

*Includes 1.5" depth for slope front

OPTIONS:

- Prison package
- Bullet feet

AVAILABLE ACCESSORIES:

- Scoops
- Carts
- Totes

Toll Free Phone: 1-800-346-3246 Local Phone: 303-761-1615 Fax: 303-789-1741

Email: sales@kloppenbergl.com

Please send all PO's to purchaseorders@kloppenbergl.com