

Project #: \_\_\_\_\_

Item #: \_\_\_\_\_



# Medium Duty Commercial Microwave Oven



## Model 1034N0A

### Features

- Large capacity (1.2 cu.ft / 34 L), accommodates a 14" (356 mm) platter.
- Able to withstand the demands of the Commercial Food Service environment with stainless steel cabinet and oven cavity.
- 1000 Watts of Cooking power..
- Bottom Energy Feed.
- Easy to control with 6 minute electronic dial timer with "AutoReset" feature.
- Unique CCW rotate the dial timer to choose 5 power levels.
- On Door menu guide for frequently used items and reference.
- Chef/Test Kitchen Support.
- Oven cavity light to monitor cooking status without opening the door.
- EZ Grab'n Go door handle for reliable use, no moving parts.

### Applications

- + Restaurants
- + Vending
- + Breakrooms
- + Office Coffee Service



Project #: \_\_\_\_\_

Item #: \_\_\_\_\_

# Model 1034N0A

**Medium Duty**  
Commercial Microwave Oven

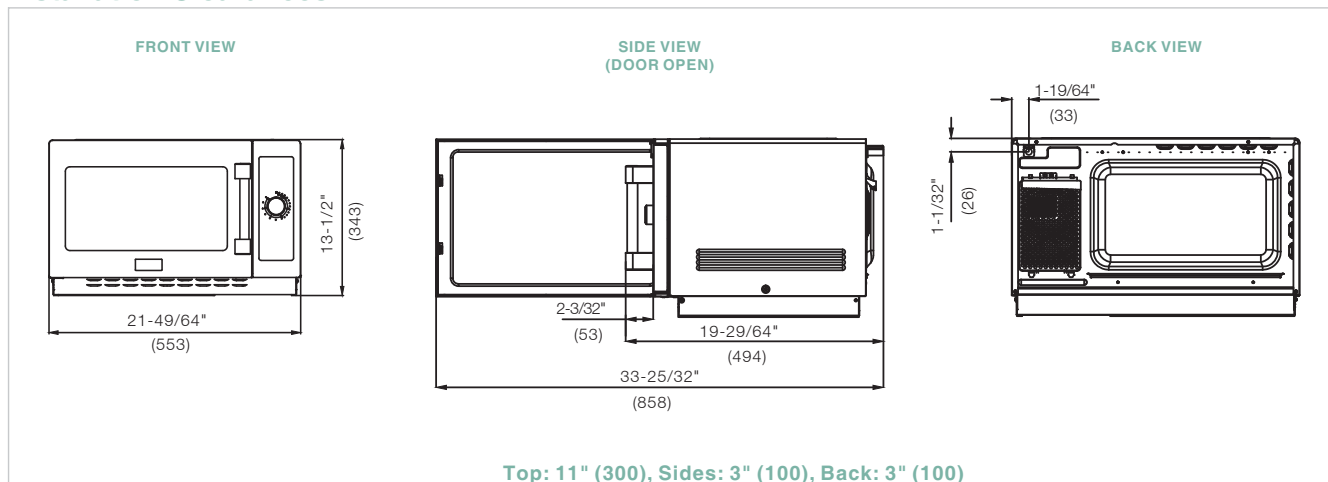
Medium duty commercial microwave from Midea shall have a 6 minute dial timer with illuminated digits and end of cycle beep. Timer shall automatically reset to zero if the door is opened during working. Dial timer shall to be CCW rotated to choose 5 power levels. Microwave output shall be 1000 Watts distributed by single magnetron with a bottom rotating antenna. An interior light shall make the food easy to monitor without opening the door. The Large capacity 1.2 cubic ft. (34 liter) cavity shall accommodates a 14" (356 mm) platter or 6" tall ½ size H or X Pan with cover. Durable door shall have a EZ Grab and Go handle with a 90° + opening for easy access. Removable splatter shield shall be easy to clean. Oven shall be stackable installed for increased space availability on counter or working area. Oven shall have a stainless steel exterior wrap, door, and interior cavity. Chef/Test Kitchen Support. Microwave oven shall be listed by UL, CUL and ETL SANITATION.

## Specifications

Dimensions	
Cavity size	1.2 cu.ft (34 Liters)
Cavity Dimension(WxDxH)	370 mm x 385 mm x 230 mm (14 5/8" x 15 1/8" x 9")
Gross Dimension(WxDxH)	553 mm x 488 mm x 343 mm (21 3/4" x 19 1/4" x 13 1/2")
Inside Package Dimension(WxDxH)	631 mm x 544 mm x 418 mm (24 7/8" x 21 3/8" x 16 1/2")
Outer Package Dimension(WxDxH)	646 mm x 559 mm x 446 mm (25 3/8" x 22" x 17 1/2")
Ship Weight (approx)	20.7 kg (45.6 lb)
Product Weight	18.4 kg (40.6 lb)
Door Depth	"33-25/32"" (858), 90°+ door open"
Exterior Finish	Stainless steel
Interior Finish	Stainless steel
No Turnable	Yes
Interior Light	Yes, Incandescent
Loading Capacity (20" / 40" / 40" HD)	185 / 375 / 450
Electrical specifications	
Power Consumption	1600 W
Power Output	1000 W
Power Source	120 V, 60 Hz, 15 A single phase
Plug Configuration	NEMA 5-15P
Plug Cord	5 ft. (1.5m)
Plug Image	
Frequency	2450 MHZ

Technical specifications	
Filter Board	Yes
Settings Programmable	-
Power Levels	5
Stage Cooking	1
Control Type	Dial Control
Defrost by Time	Yes
Time Entry Option	Yes
Max. Cooking Time	00:06:00
Multiple Portion Setting	No
Express cook	Yes
Cooking End Signal	Yes
Magnetron Protection	Yes
Magnetrons	1
Function type	Medium-duty
Microwave Distribution	Bottom rotating antenna
Braille	No
Stackable installation	YES, 2
Safety Listing	
Safety Listing	UL+CUL+FCC+ETL SANITATION+IC 

## Installation Clearances



## Warranty Service

3 Year Limited Warranty: 3 year Magnetron and 1 Year Parts, Labor and Travel/Shipping.

## Support Center

Midea Food Service Equipment Service Support Center, 1-855-238-5604 or USService\_Microwave@midea.com.

